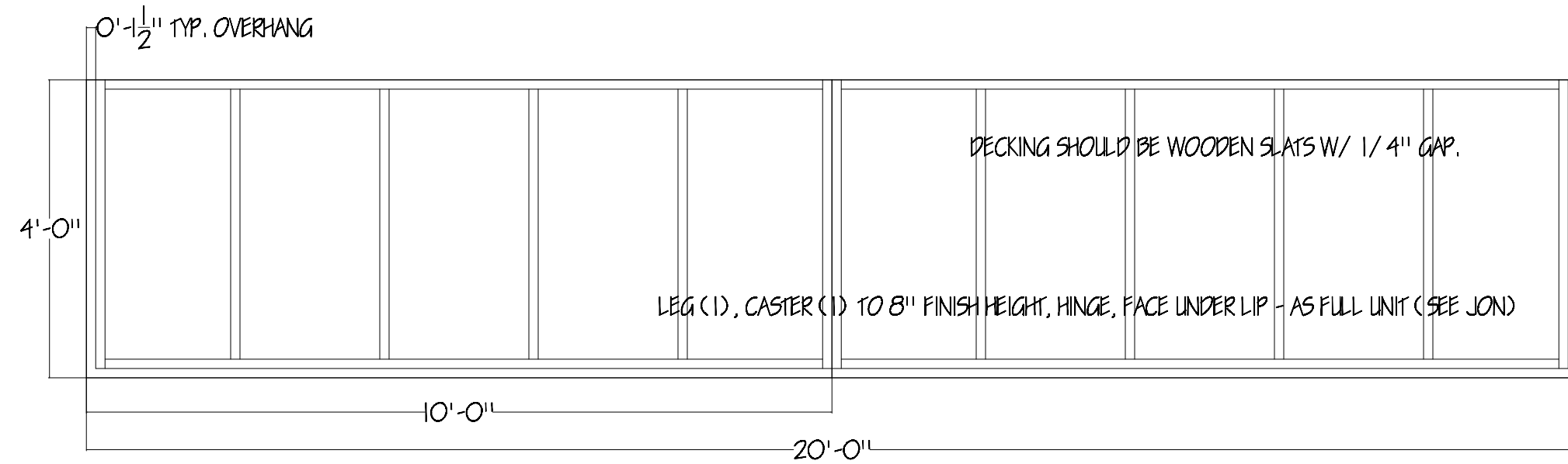
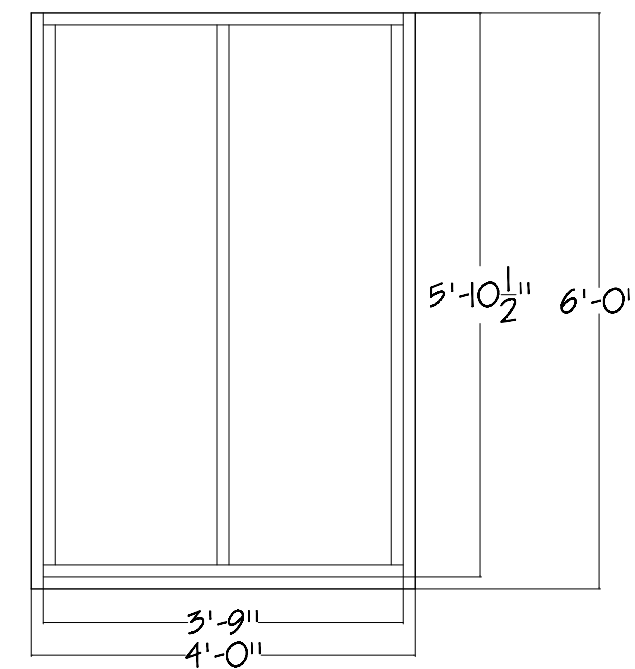


DECKING SHOULD BE WOODEN SLATS W/ 1/4" GAP.

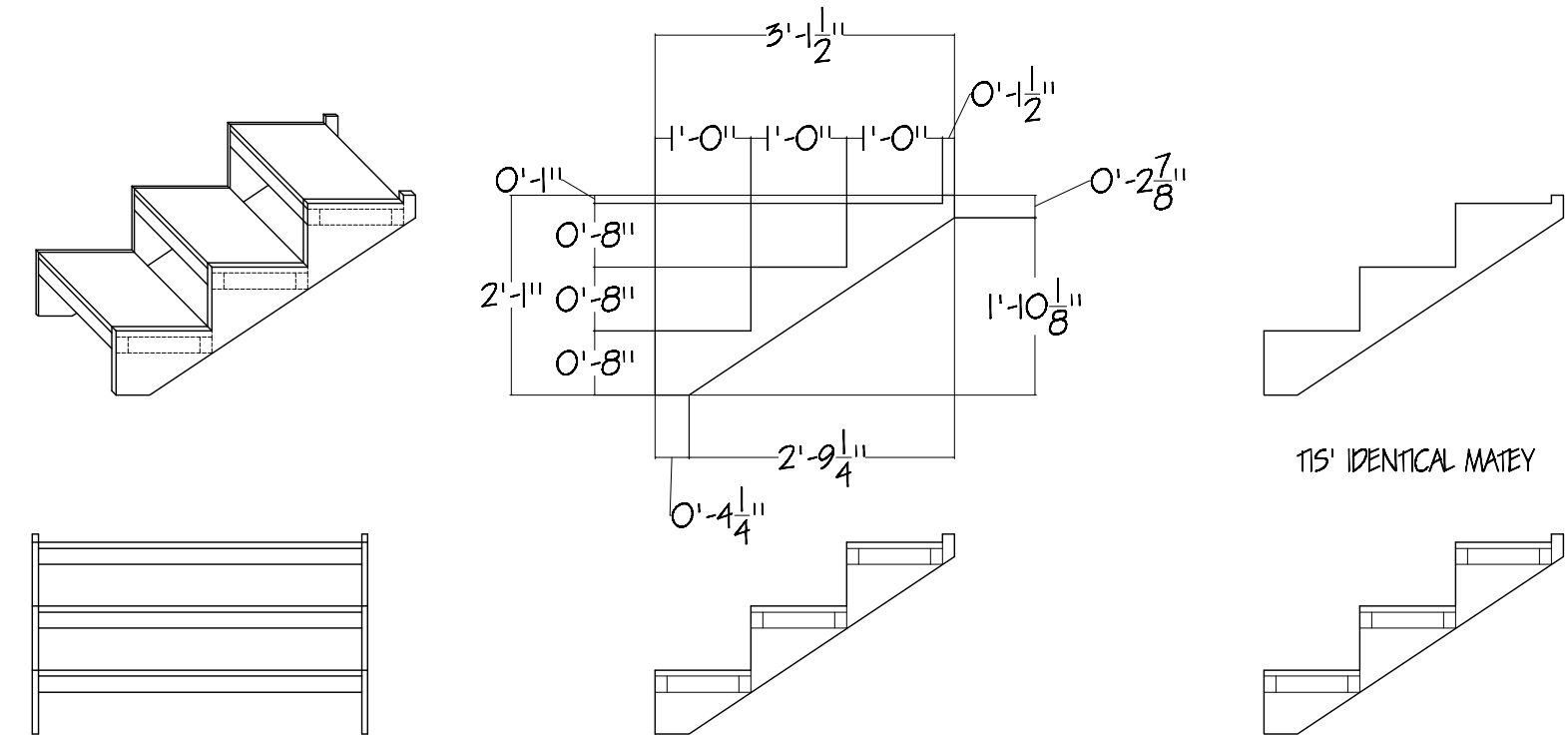
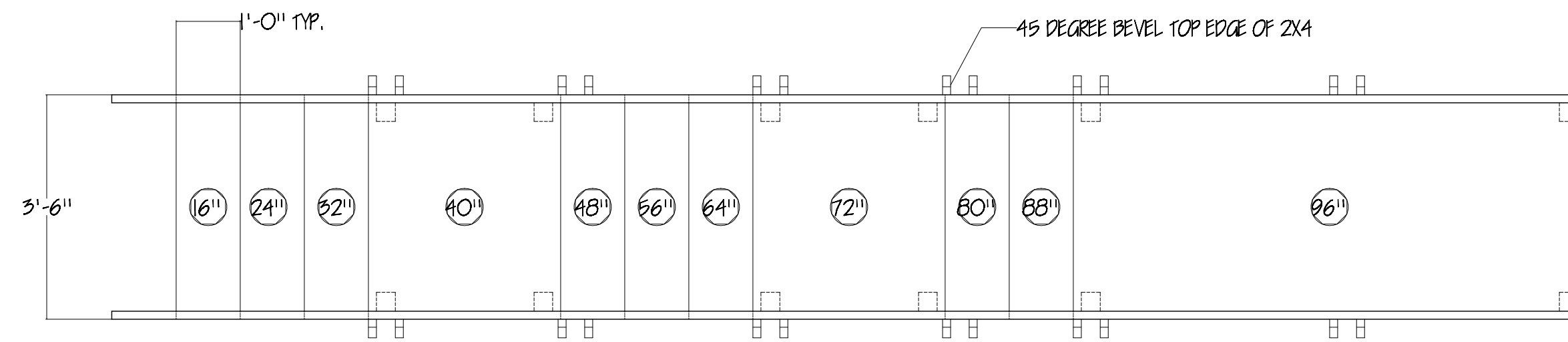
DECKING SHOULD BE WOODEN SLATS W/ 1/4" GAP.



1 ARG - MAIN RUNWAY  
SCALE: 1/2" = 10'



2 ARG - MAIN RUNWAY EXTENSION  
SCALE: 1/2" = 10'

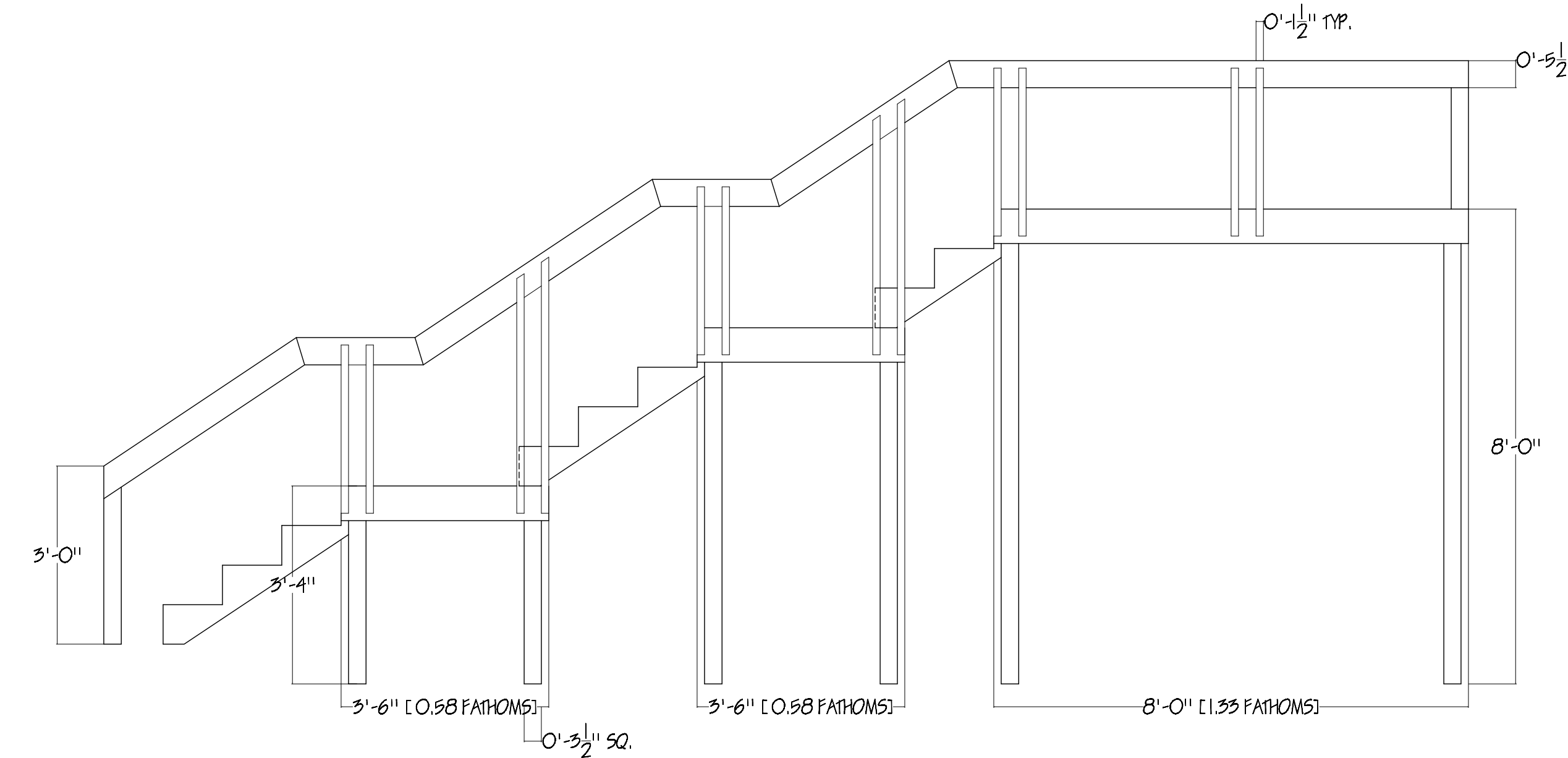


3 STAIRS - FRONT AND ISO  
SCALE: 1/2" = 10'

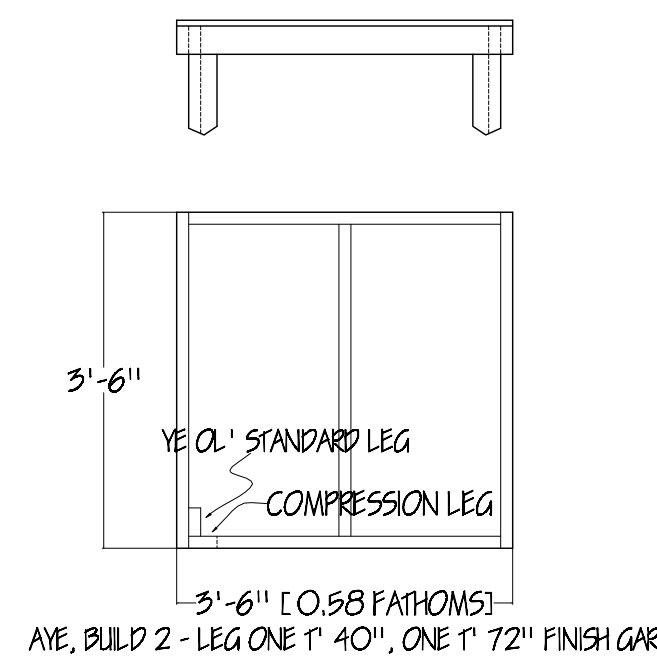
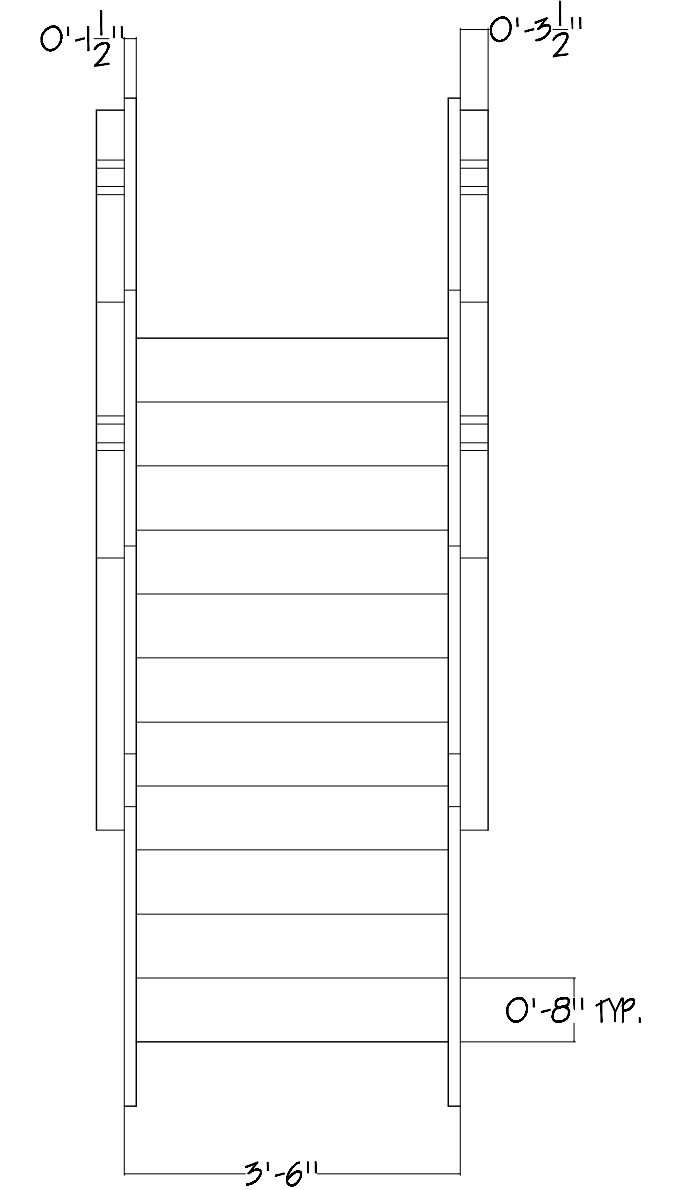
4 STAIRS - SET 1  
SCALE: 1/2" = 10'

5 STAIRS - SET 2  
SCALE: 1/2" = 10'

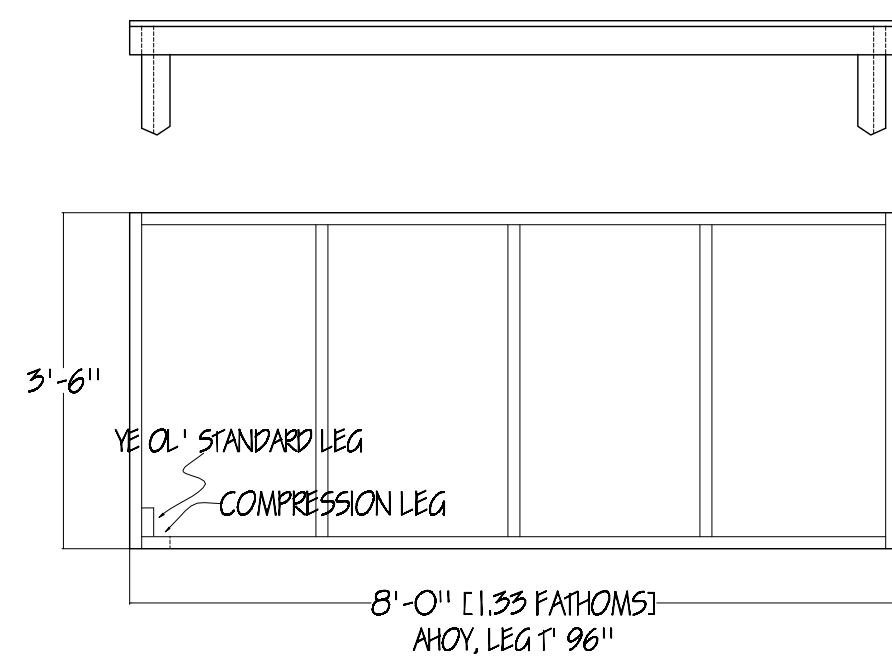
6 STAIRS - SET ARRANGEMENT  
SCALE: 1/2" = 10'



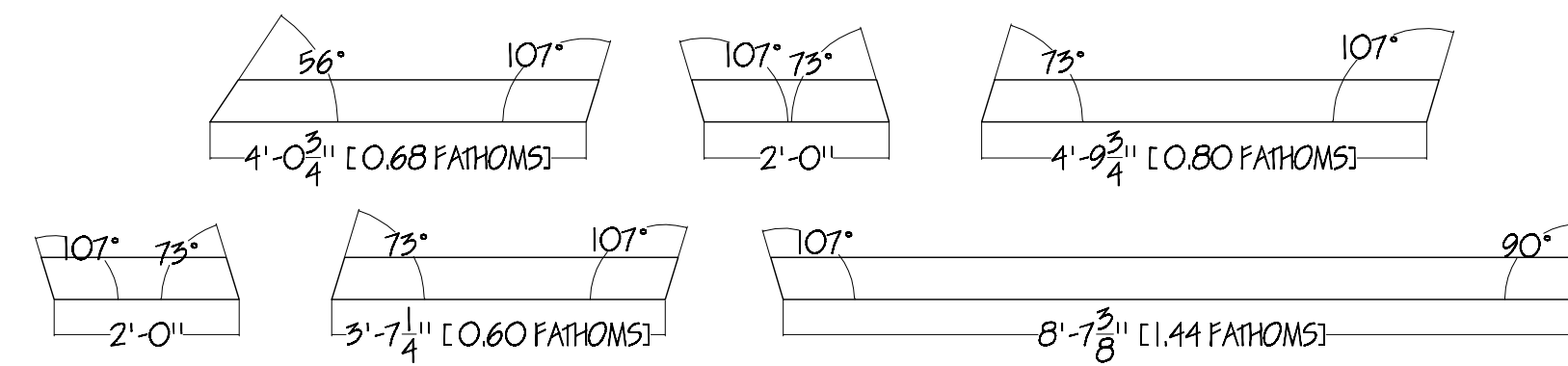
7 STAIRS OVERVIEW  
SCALE: 1/2" = 10'



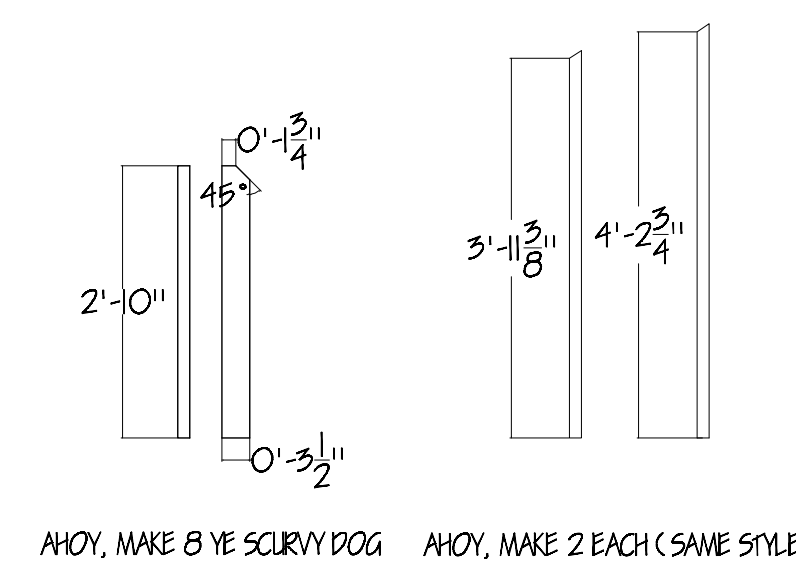
8 STAIR PLATFORM 1 AND 2  
SCALE: 1/2" = 10'



9 STAIR PLATFORM 3  
SCALE: 1/2" = 10'



10 STAIR RAILINGS  
SCALE: 1/2" = 10'



AHOY, MAKE 8 YE SCURRY DOG AHOY, MAKE 2 EACH (SAME STYLE)

11 STAIR RAILING STANDARDS  
SCALE: 1/2" = 10'

MODEL PHOTO

**THE OHIO LIGHT OPERA**  
**THE PIRATES OF PENZANCE**

**ACT II ELEVATIONS**      DWG. NO. **11-1**

DIRECTOR: FRED REEDER  
DESIGNER: KIRK DOMER  
TECH DIRECTOR: J.T. SAGE  
DRAFTER: J.T. SAGE

APPROVED: \_\_\_\_\_ DATE: \_\_\_\_\_ SCALE: 1/2" = 10' DRAWING DATE: 5/17/2007