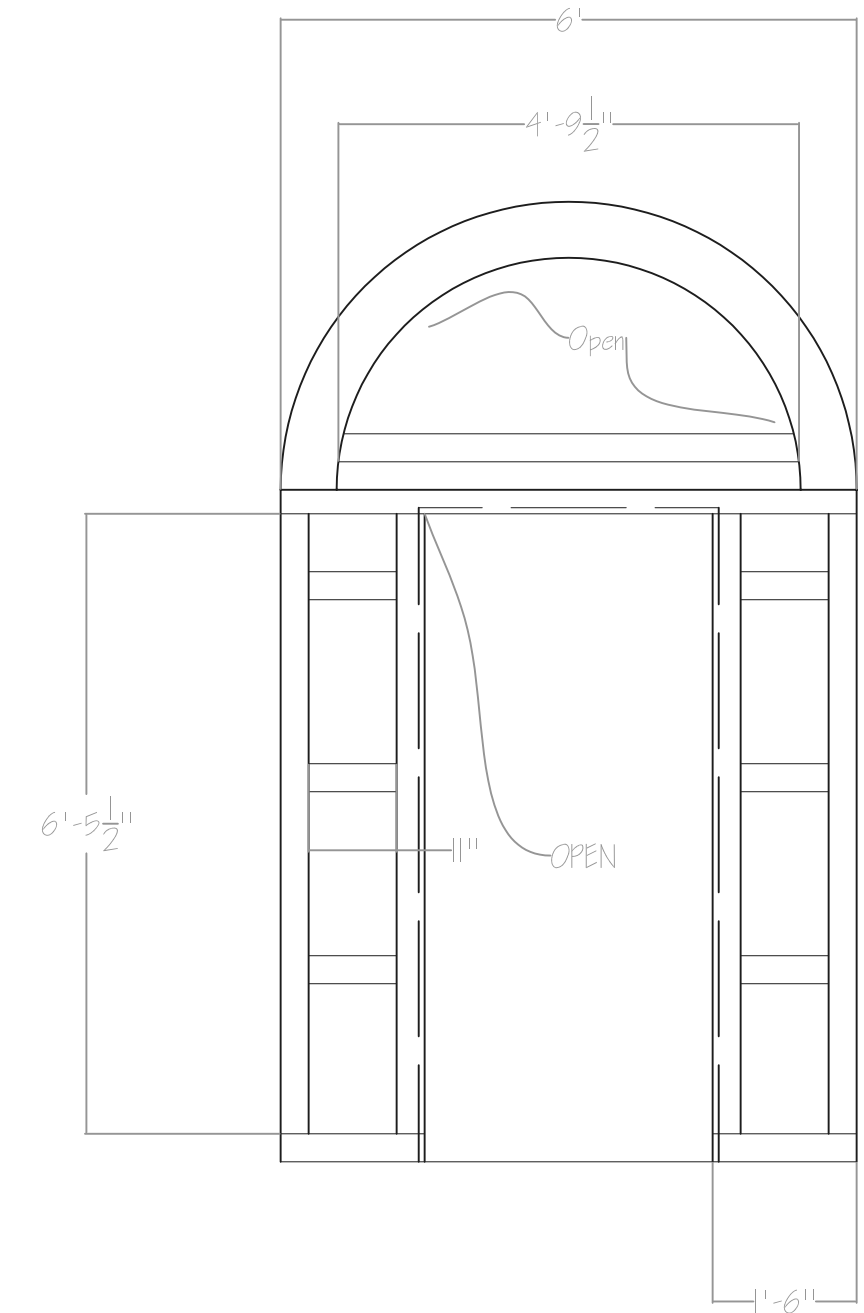
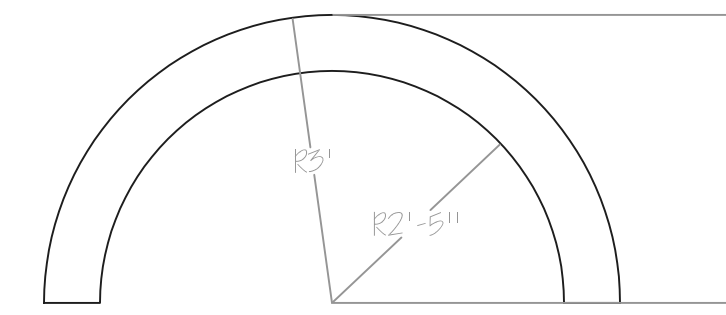


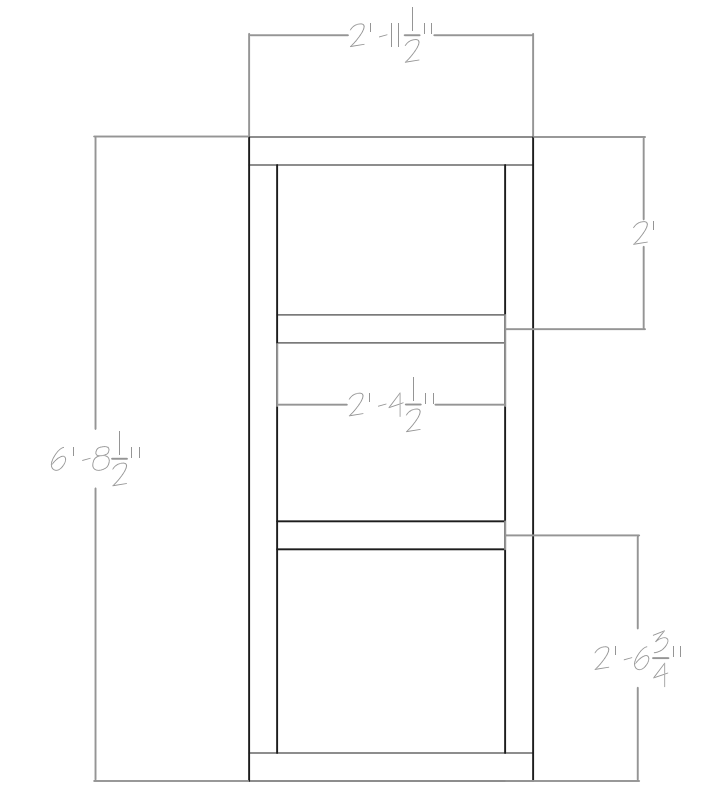
1
TS
DOOR UNIT FOAM LAYOUT
SCALE: 1/2" = 1'-0"



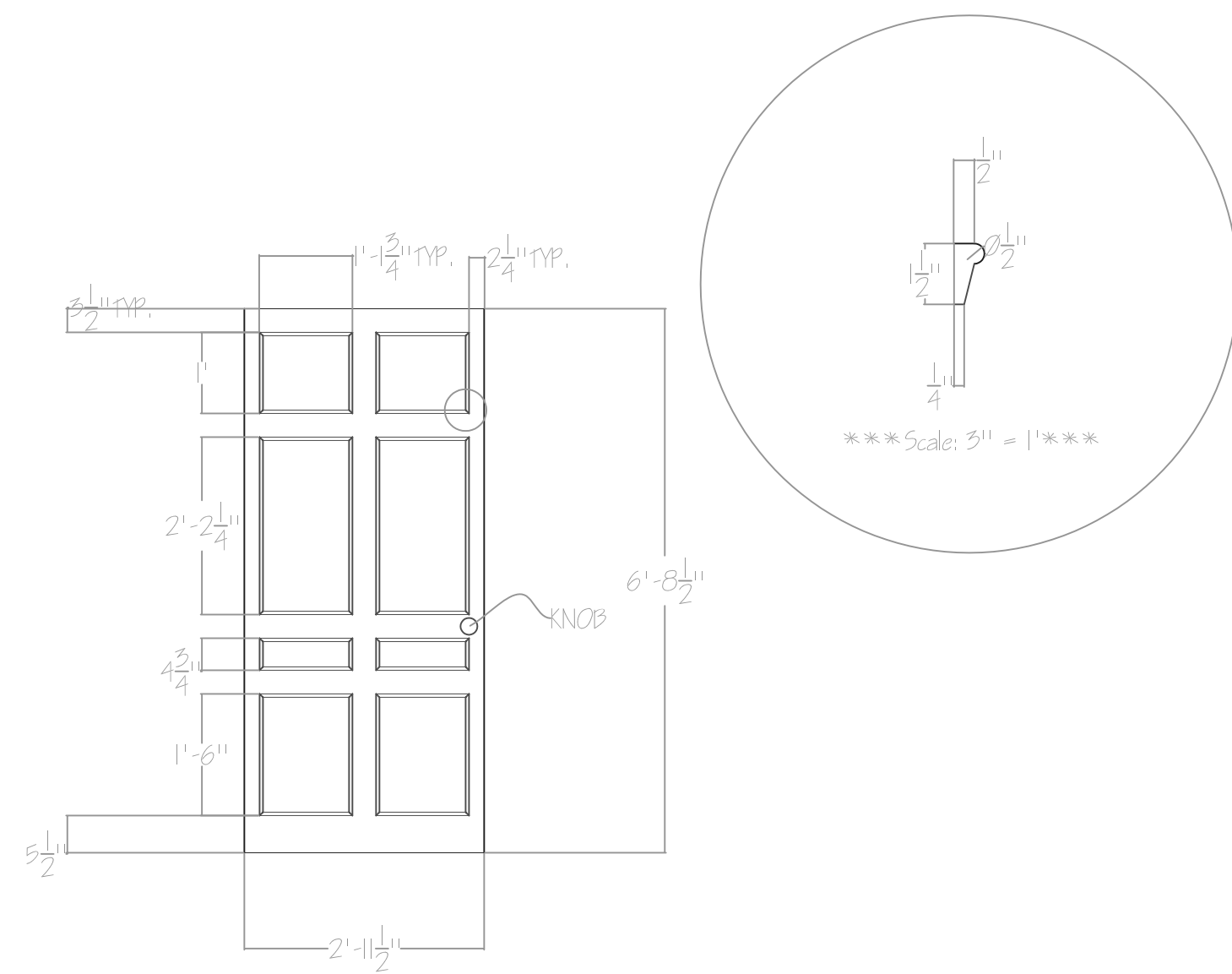
2
TS
DOOR UNIT FRAMING
SCALE: 1/2" = 1'-0"



3
TS
DOOR UNIT PLYWOOD SWEEP
SCALE: 1/2" = 1'-0"



4
TS
DOOR FRAMING
SCALE: 1/2" = 1'-0"



5
TS
DOOR DETAIL
SCALE: 1/2" = 1'-0"

MICHIGAN STATE UNIVERSITY - FAIRCHILD THEATRE			
THE RAKE'S PROGRESS			
TECH ELEVATIONS			DWG. NO.
DIRECTOR: MELANIE HELTON			TS
DESIGNER: KIRK POMER			
TECH DIRECTOR: JONATHAN T. SAGE			OF 5
DRAFTER: JONATHAN T. SAGE			CDP:
APPROVED:	DATE:	SCALE:	DRAWING DATE:
		1/2" = 1'-0"	12-16-04