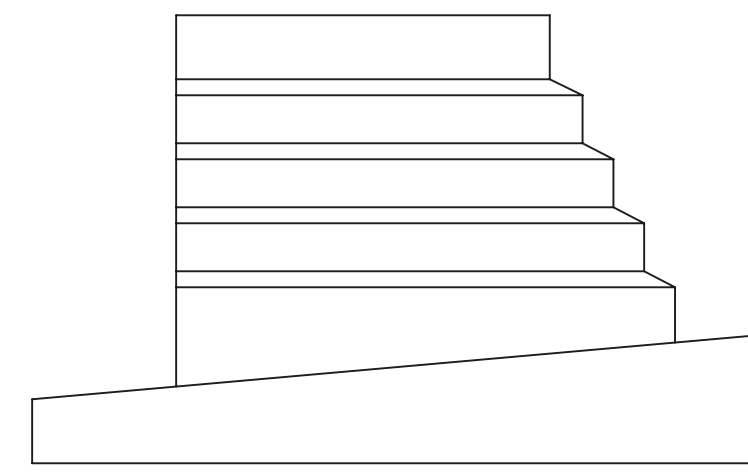
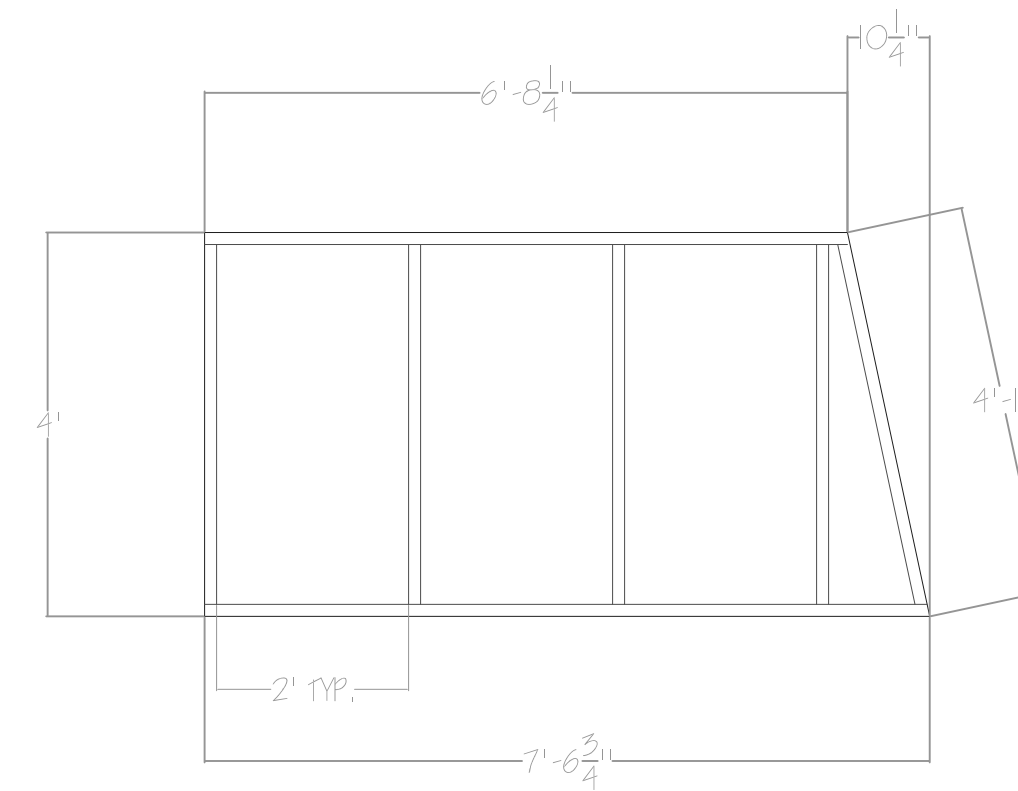


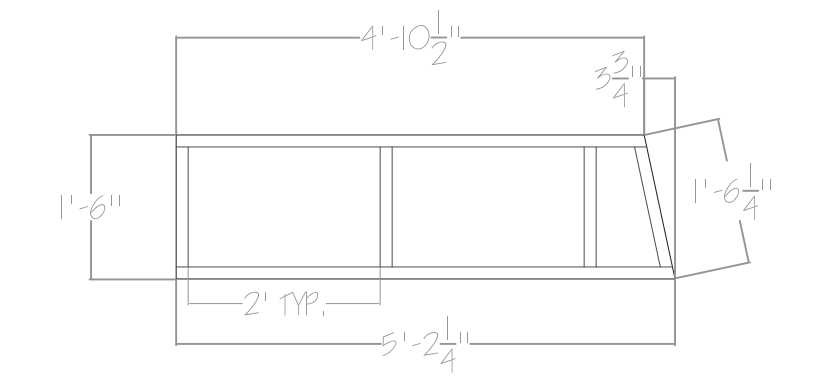
1 STAGE LEFT STAIR SIDE VIEW
T4
SCALE: 1/2" = 1'-0"



2 STAGE LEFT STAIR FRONT VIEW
T4
SCALE: 1/2" = 1'-0"

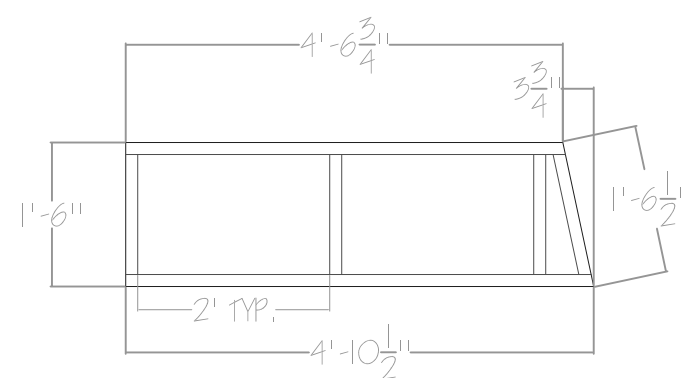


3 BOTTOM STAIR
T4
SCALE: 1/2" = 1'-0"

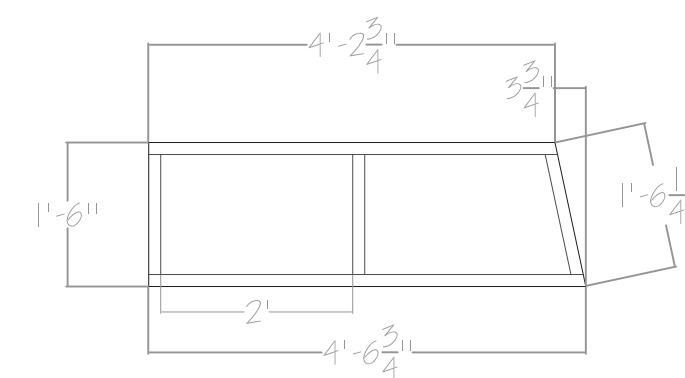


4 2ND STAIR
T4
SCALE: 1/2" = 1'-0"

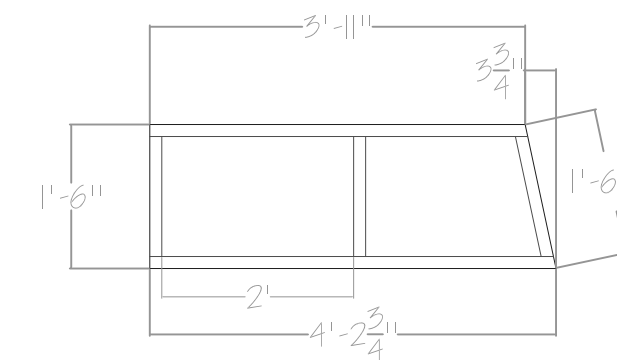
PLEASE SEE GROUNDPLAN FOR STAIR HEIGHT - NOTE UNEVEN RAKE PER DESIGNER



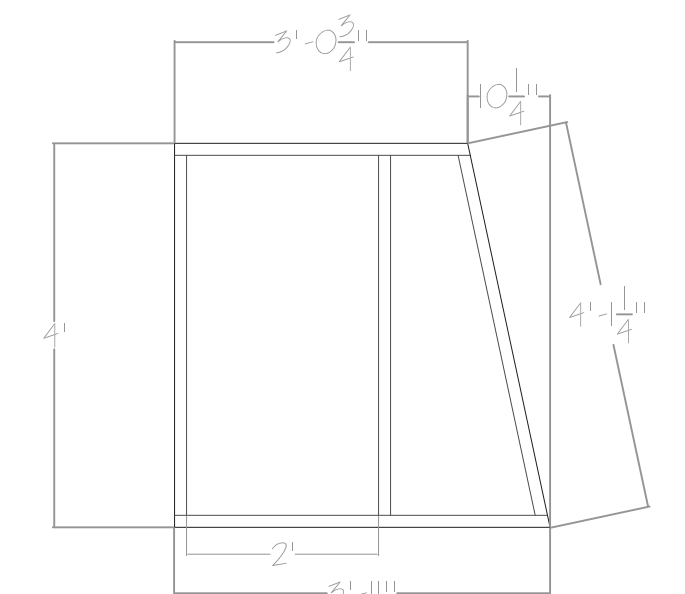
5 3RD STAIR
T4
SCALE: 1/2" = 1'-0"



6 4TH STAIR
T4
SCALE: 1/2" = 1'-0"



7 5TH STAIR
T4
SCALE: 1/2" = 1'-0"



8 TOP STAIR
T4
SCALE: 1/2" = 1'-0"

MICHIGAN STATE UNIVERSITY - FAIRCHILD THEATRE			
THE RAKE'S PROGRESS			
TECH ELEVATIONS			DWG. NO.
DIRECTOR: MELANIE HELTON			T4
DESIGNER: KIRK POMER			
TECH DIRECTOR: JONATHAN T. SAGE			OF 5
DRAFTER: JONATHAN T. SAGE			CDP
APPROVED:	DATE:	SCALE:	DRAWING DATE:
		1/2" = 1'-0"	12-16-04