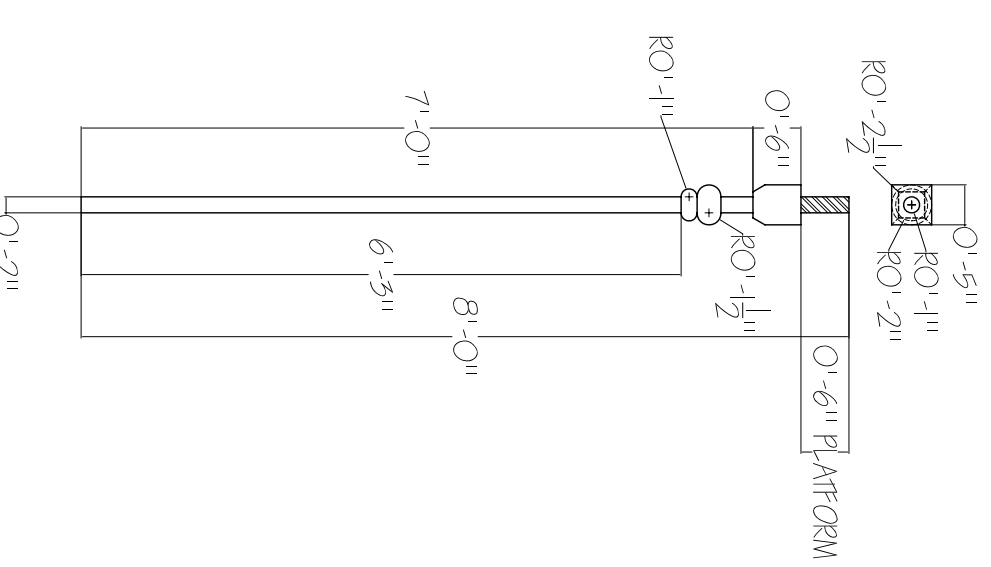
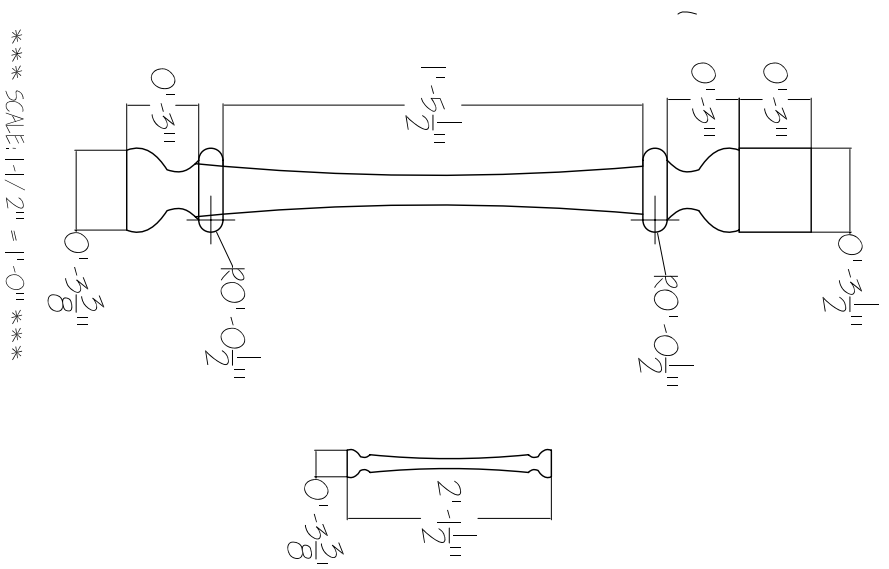
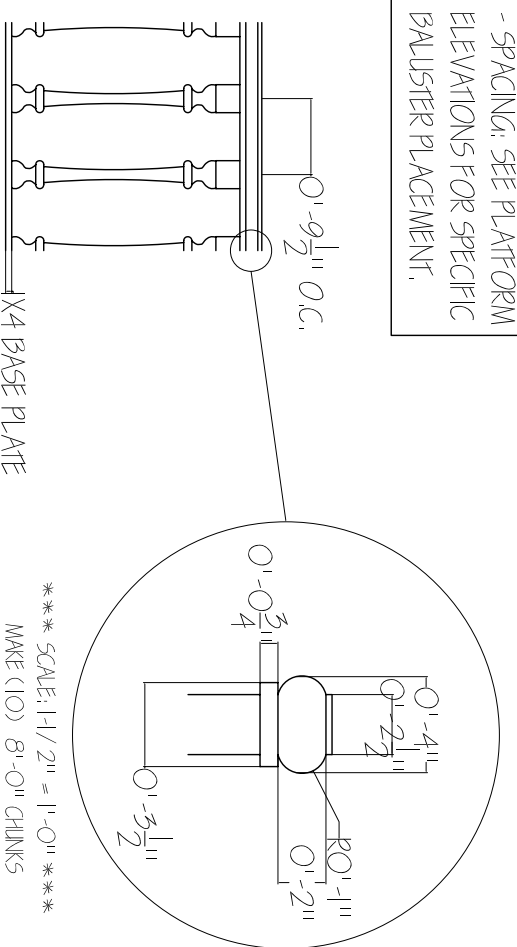


1 CHIRIN SIKU / MOLINACERBE  
SCALE: 1/2" = 1'-0"

2 3x EXDM SEE FRAMES - BUILD 2  
SCALE: 1/2" = 1'-0"

3 3x 3x20 CENTER FRAME  
SCALE: 1/2" = 1'-0"

NOTES:  
- PACKING SEE R PLATFORM ELEVATIONS FOR SPECIFIC BALUSTER PLACEMENT

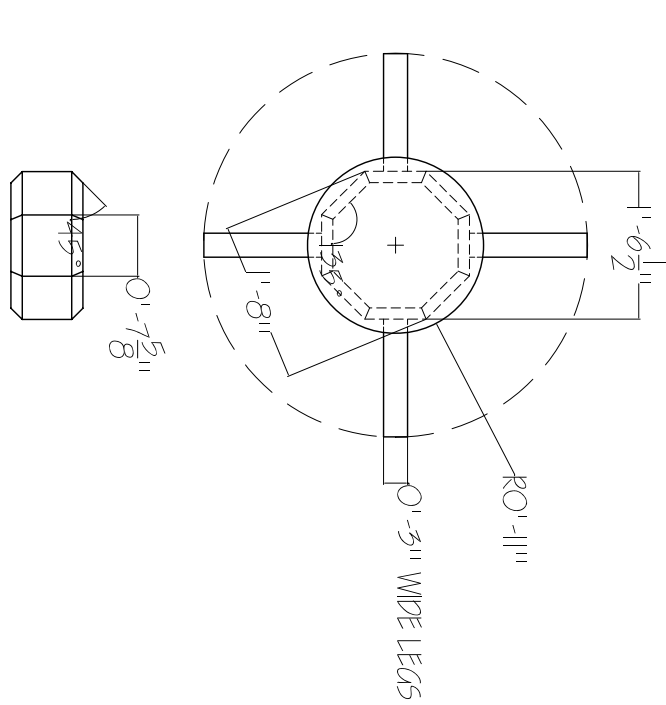
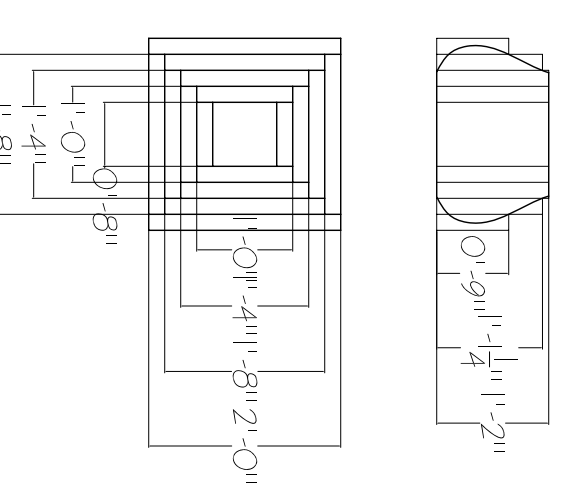
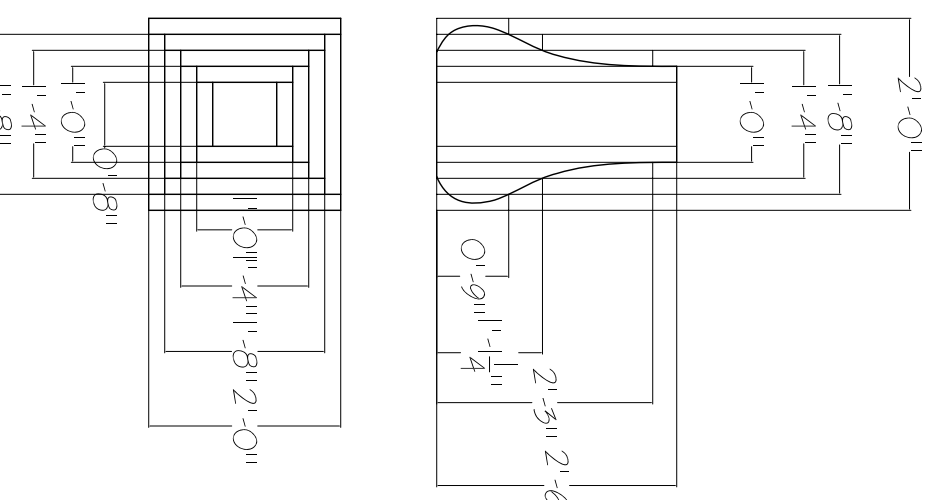


4 BALUSTER POST  
SCALE: 1/2" = 1'-0"

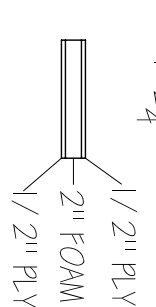
5 6'-0" PLATFORM SPANS  
SCALE: 1/2" = 1'-0"

6 LARGE TABLE FORMBLOCK  
SCALE: 1/2" = 1'-0"

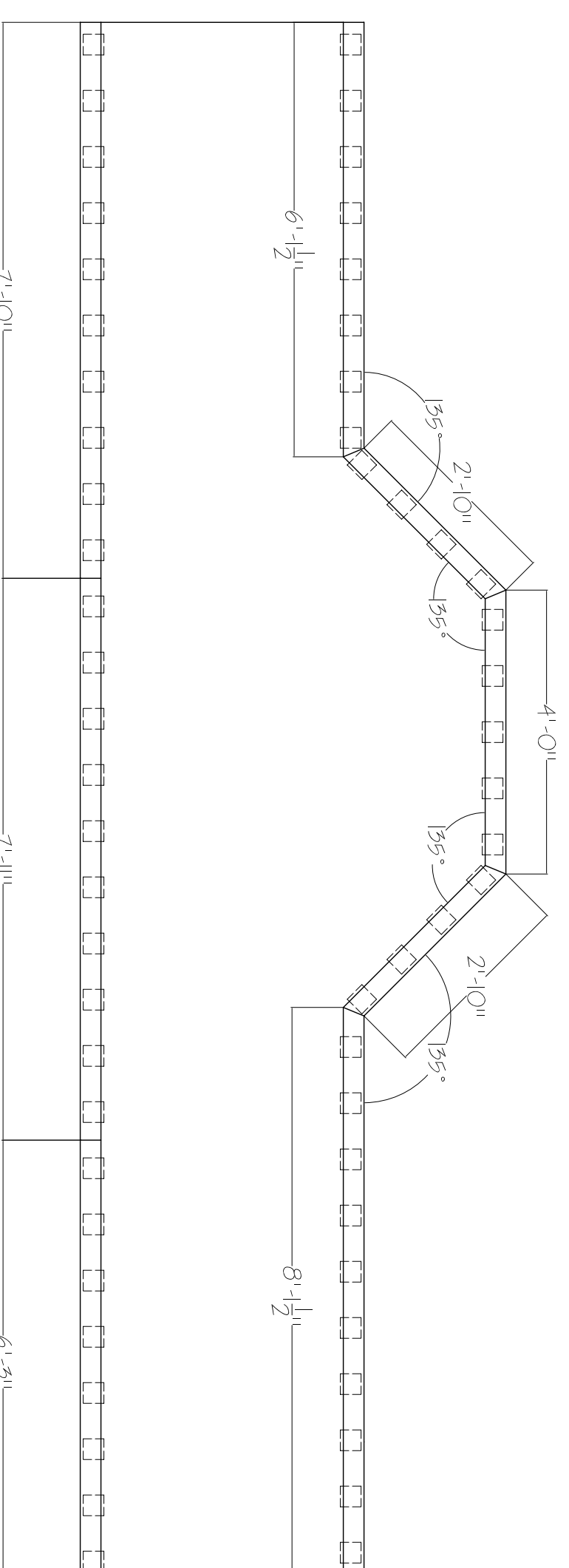
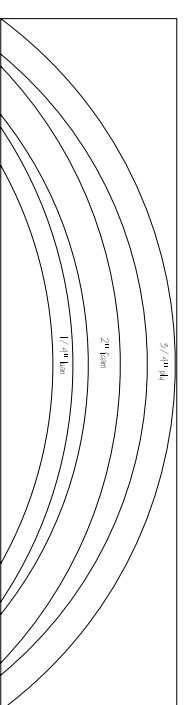
7 SMALL TABLE FORMBLOCK  
SCALE: 1/2" = 1'-0"



8 TABLE LEGS  
SCALE: 1/2" = 1'-0"



9 TABLE LEGS  
SCALE: 1/2" = 1'-0"



MODEL PHOTO

THE OHIO LIGHT OPERA - 28TH SEASON - 2006

PRIDE AND PREJUDICE

TECH ELEVATIONS

DWG. NO.

DIRECTOR: STEVEN DAJALE

DESIGNER: KIRK DOWER

11-3

TECH DIRECTOR: BRIAN ADAMS / JONATHAN SAGE

DRAWER: JT. SAGE

CRP

APPROVED: DATE: SCALE: 1/2" = 1'-0"

DRAWING DATE: 6-30-2006