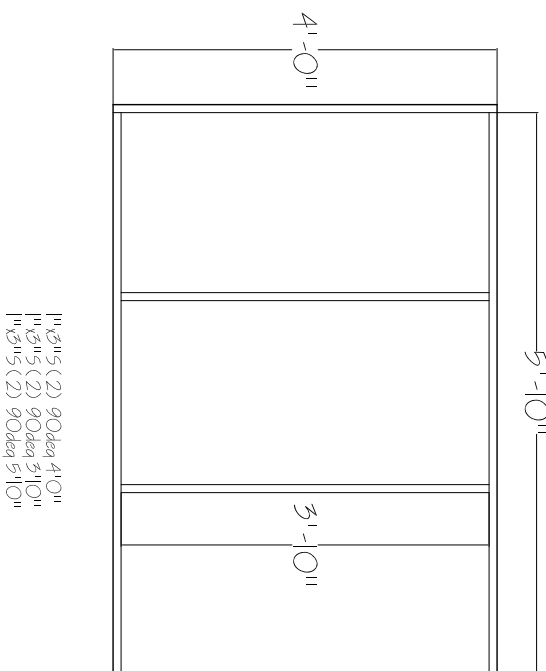
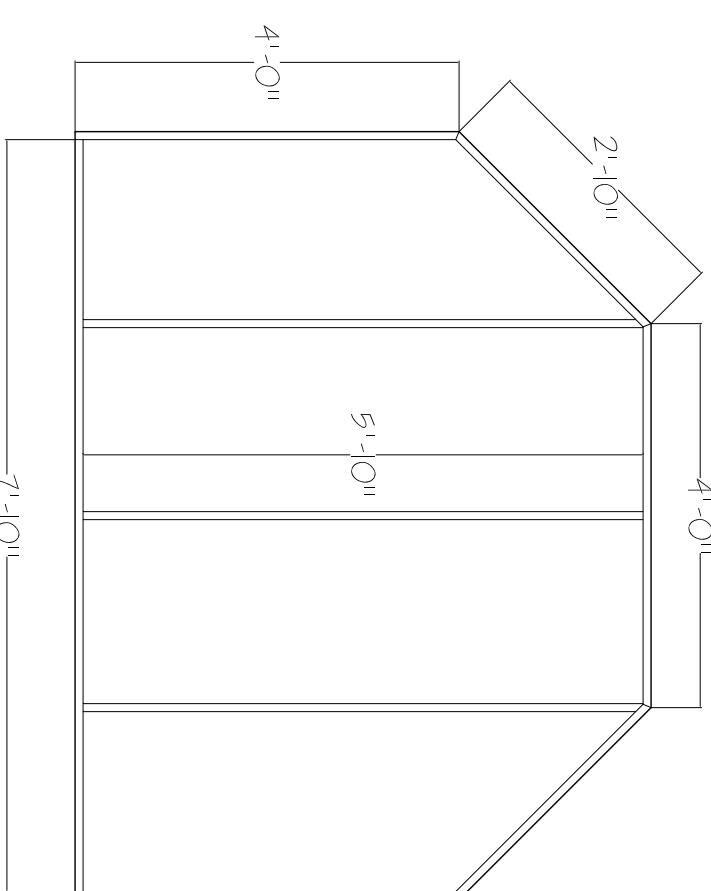


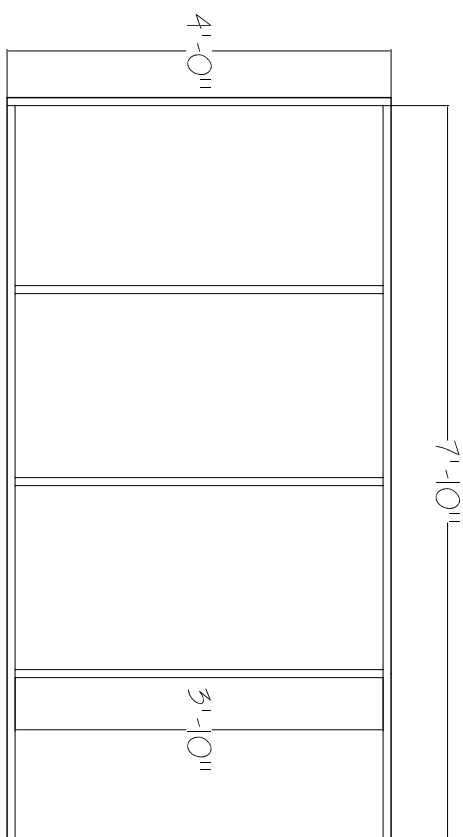
1 SLIDE STAGE PLATFORM FRONT
SCALE: 1/2" = 1'-0"



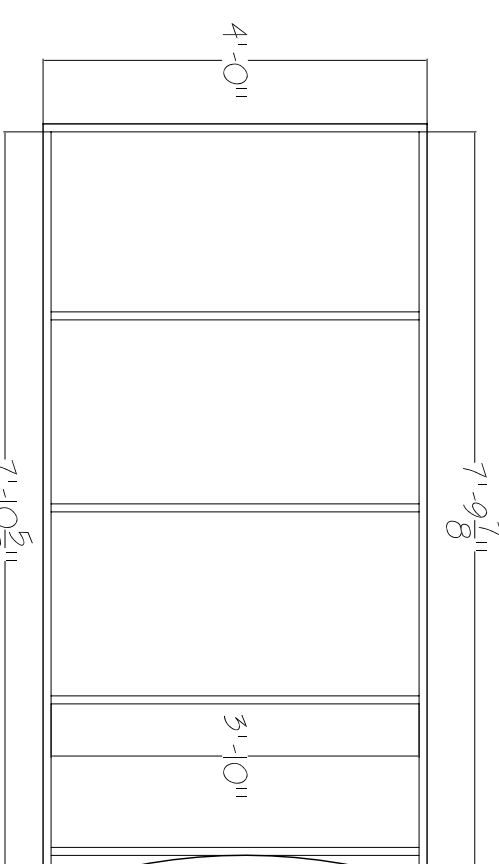
MAIN PLATFORM - SR - STEEL
SCALE: 1/2" = 1'-0"



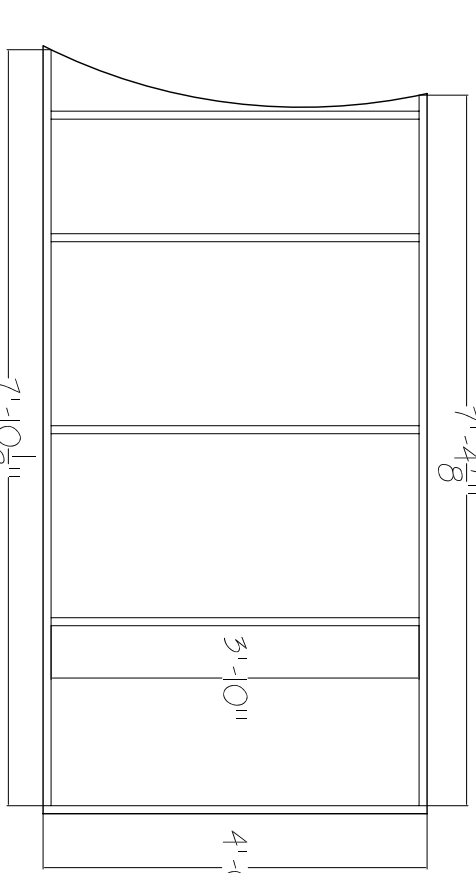
3 MAIN PLATFORM - CENTER - STEEL
SCALE: 1/2" = 1'-0"



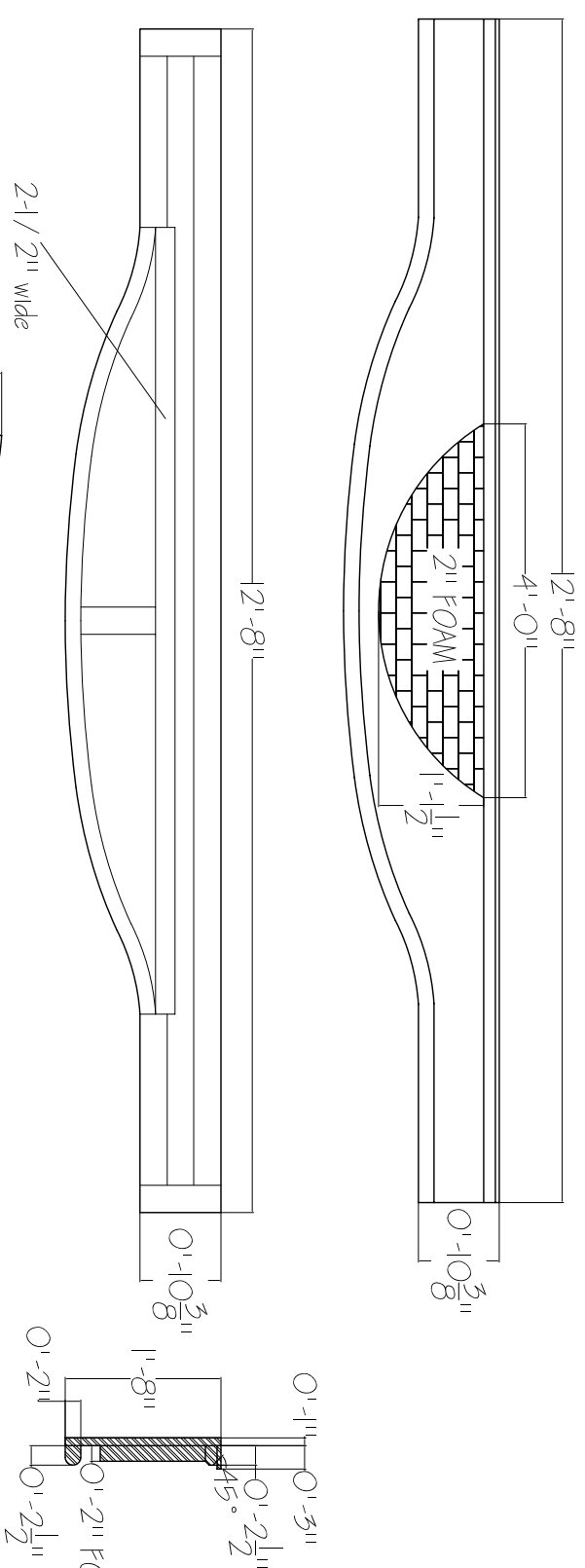
MAIN PLATFORM - SL - STEEL
SCALE: 1/2" = 1'-0"



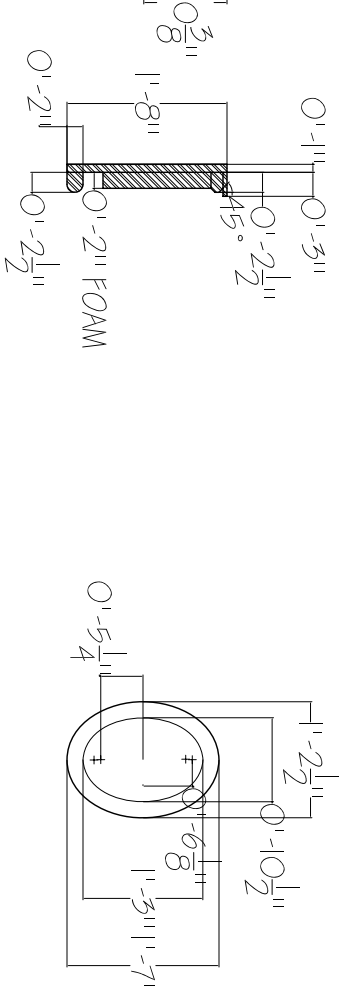
5 ESCAPE STEEL
SCALE: 1/2" = 1'-0"



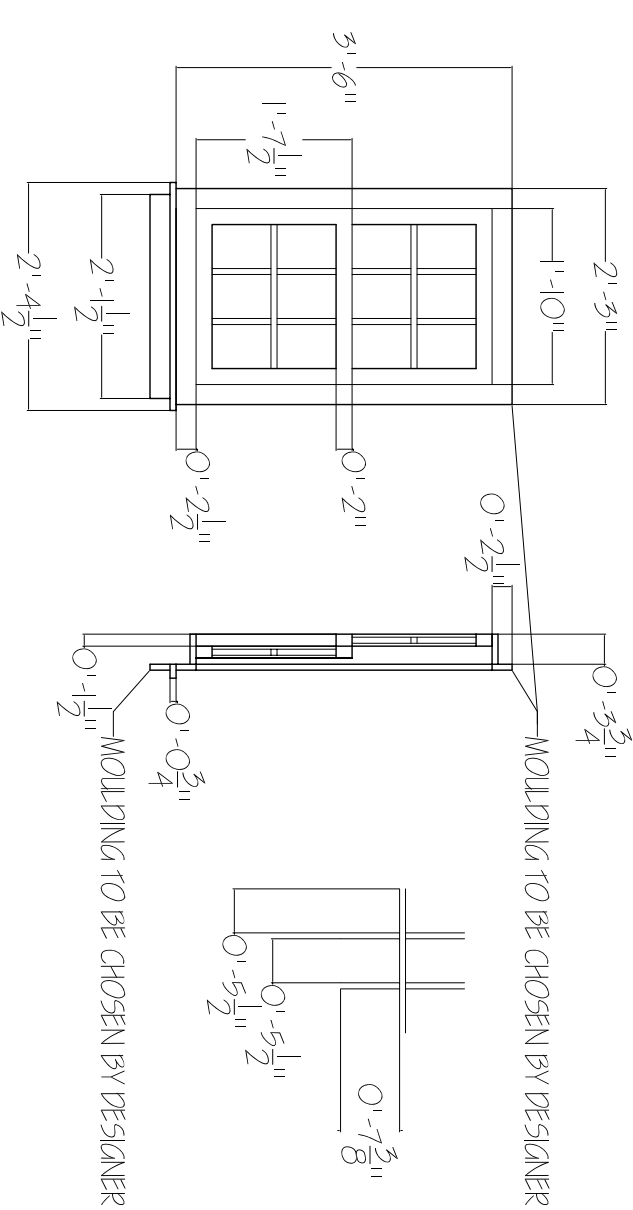
6 ESCAPE STEEL
SCALE: 1/2" = 1'-0"



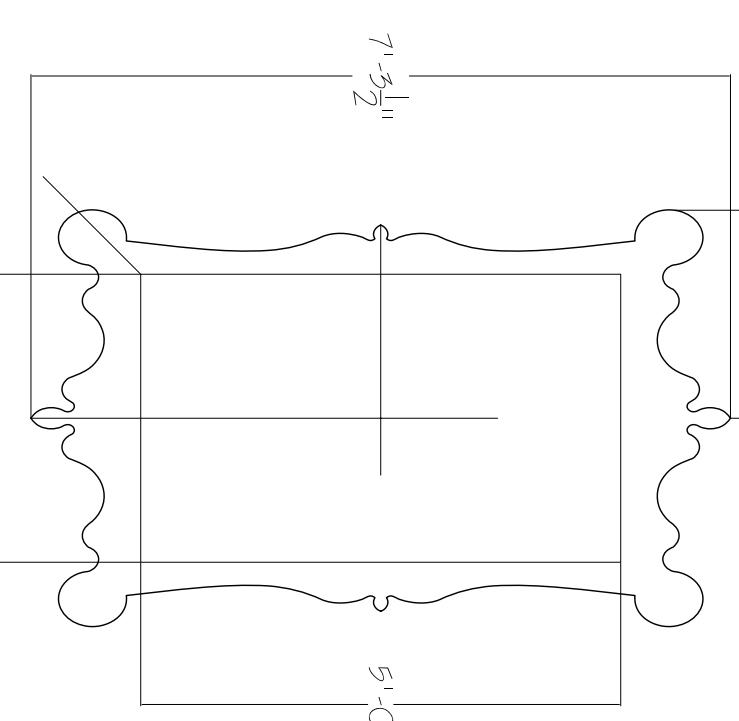
2 SLIDING STAGE PLATFORM / FOAM
SCALE: 1/2" = 1'-0"



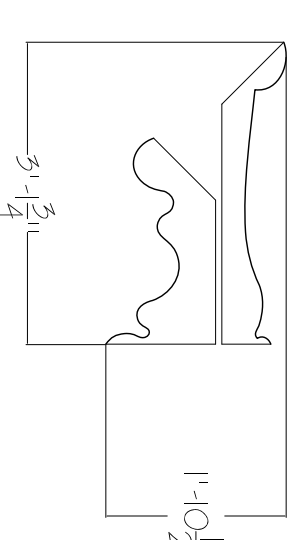
3 SLIDING STAGE - SLID 2
SCALE: 1/2" = 1'-0"



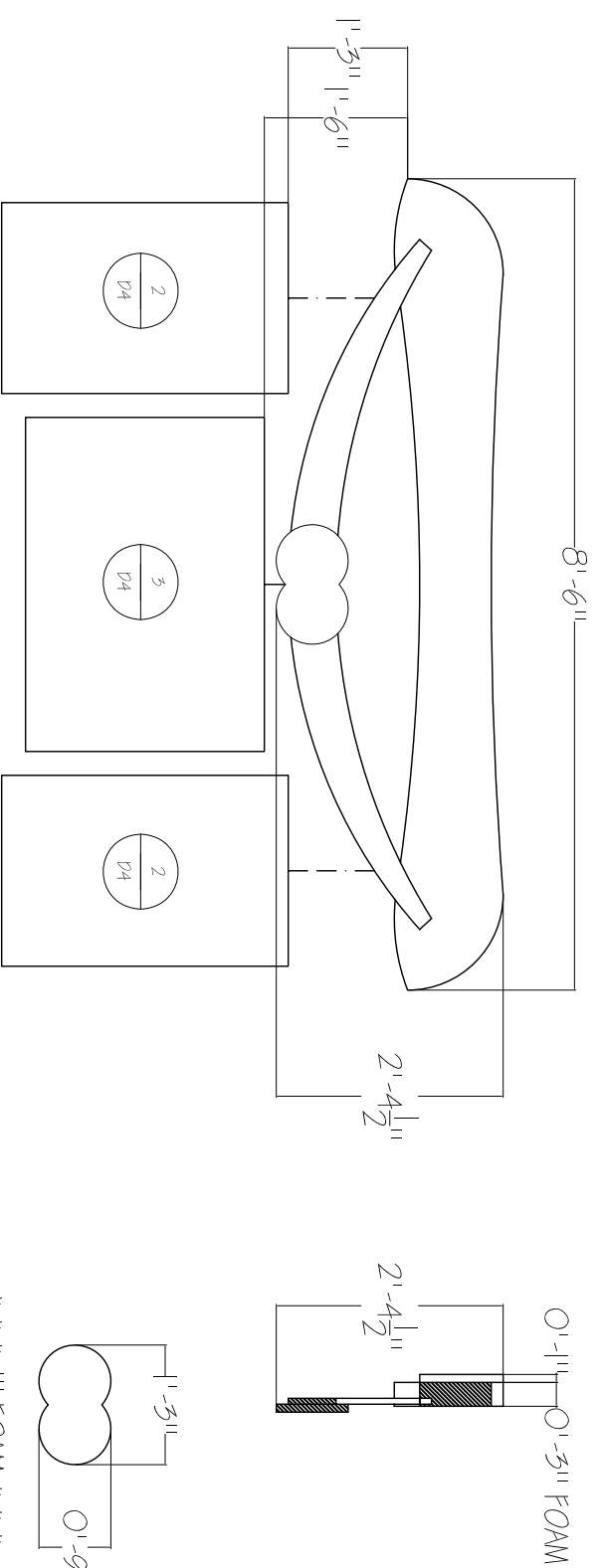
4 WINDOW - SLID 2
SCALE: 1/2" = 1'-0"



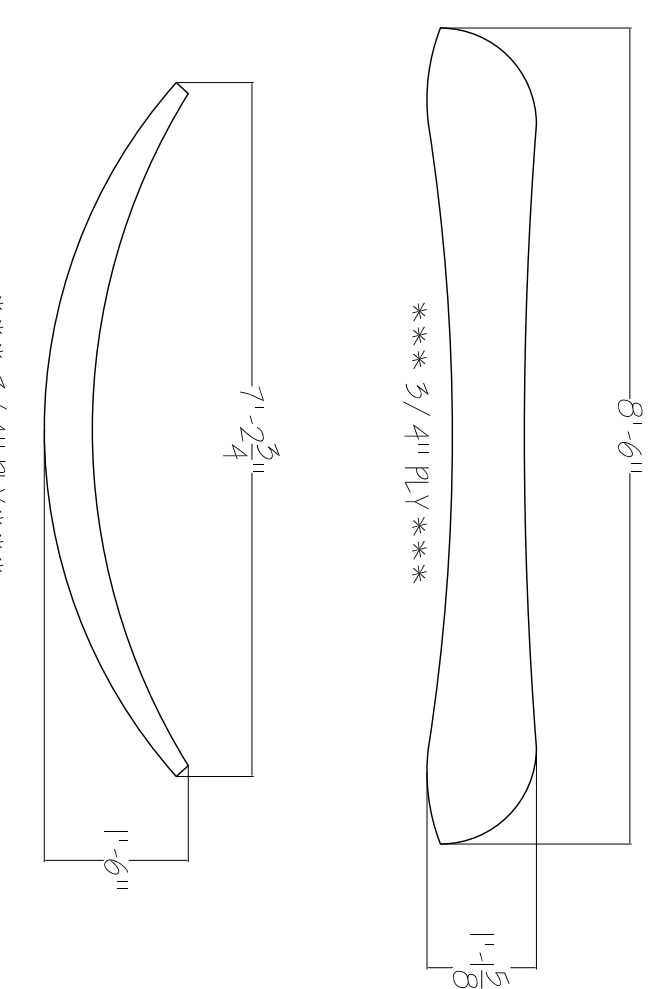
5 SLIDE CENTERLINE FRAME
SCALE: 1/2" = 1'-0"



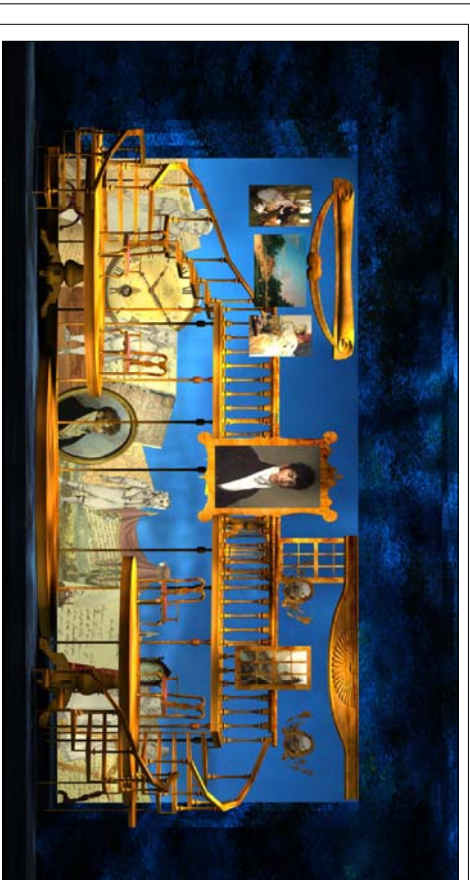
6 ESCAPE STEEL
SCALE: 1/2" = 1'-0"



7 MOULDING (CONCRETE) / FOAM
SCALE: 1/2" = 1'-0"



8 MOULDING SHEETS
SCALE: 1/2" = 1'-0"



MODEL PHOTO

THE OHIO LIGHT OPERA - 28TH SEASON - 2006
PRIDE AND PREJUDICE

TECH ELEVATIONS DWG. NO. 11-2

DIRECTOR: STEVEN PAGE

DESIGNER: KIRK DOWER

TECH DIRECTOR: BRIAN ADAMS / JONATHAN SAGE

DRAWER: J.T. SAGE

APPROVED: DATE: SCALE: 1/2" = 1'-0" DRAWING DATE: 6-30-2006