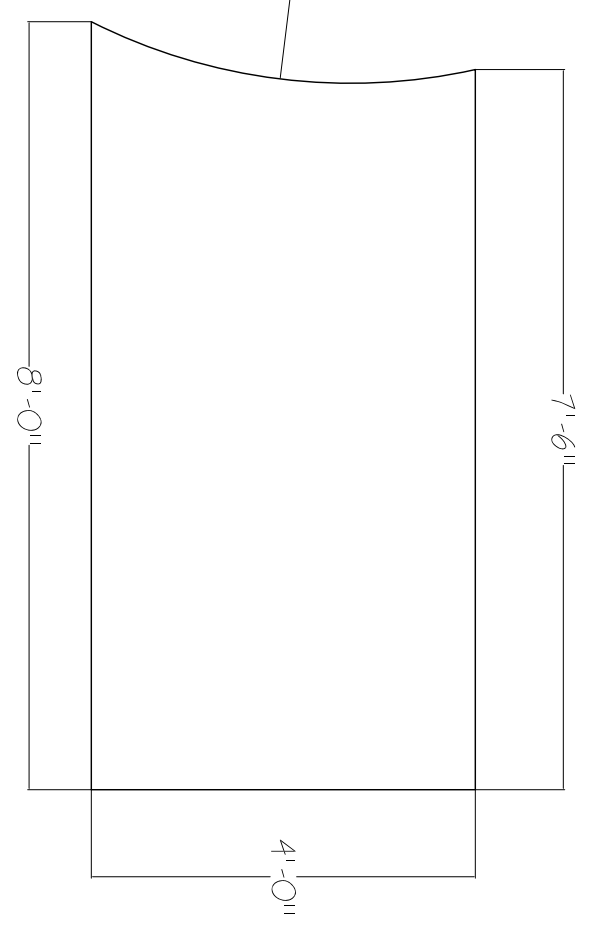
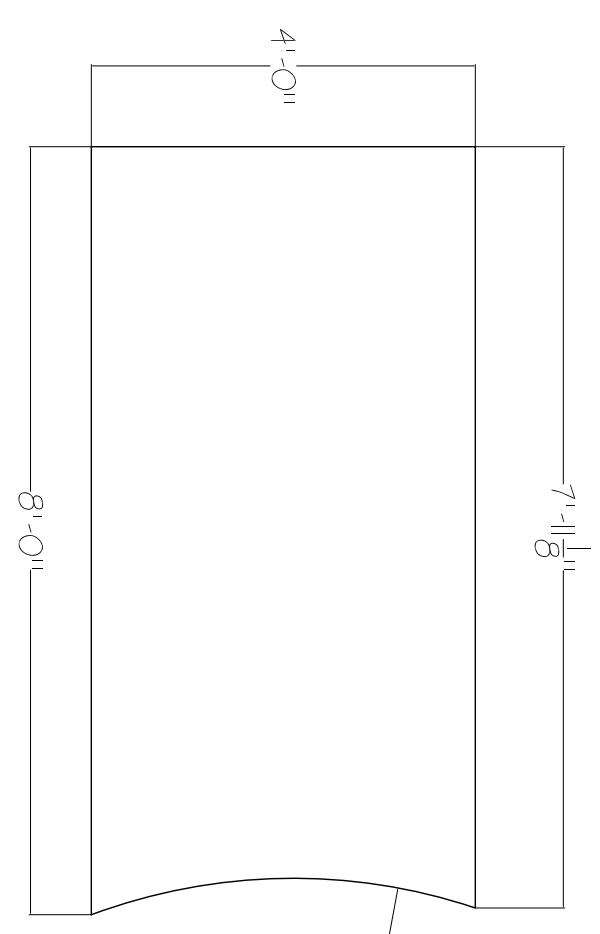
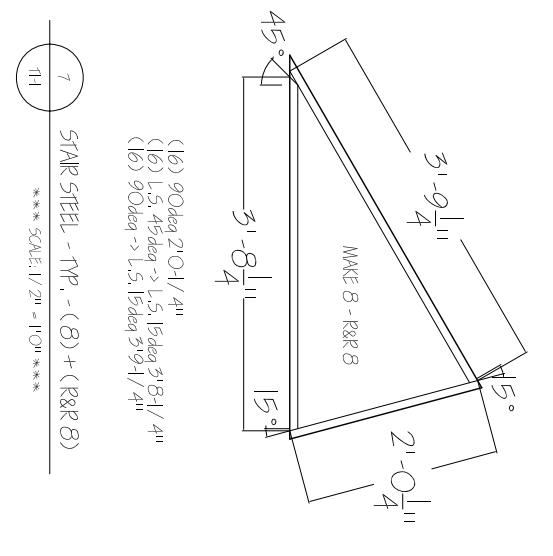
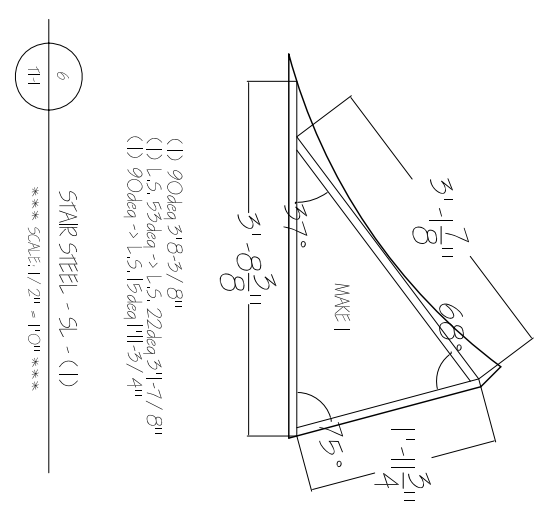
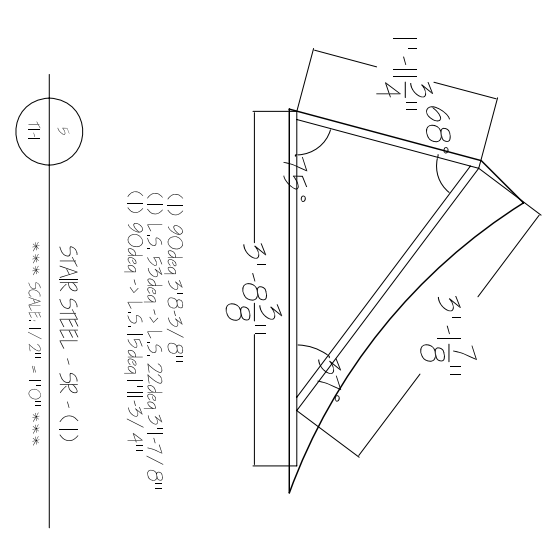
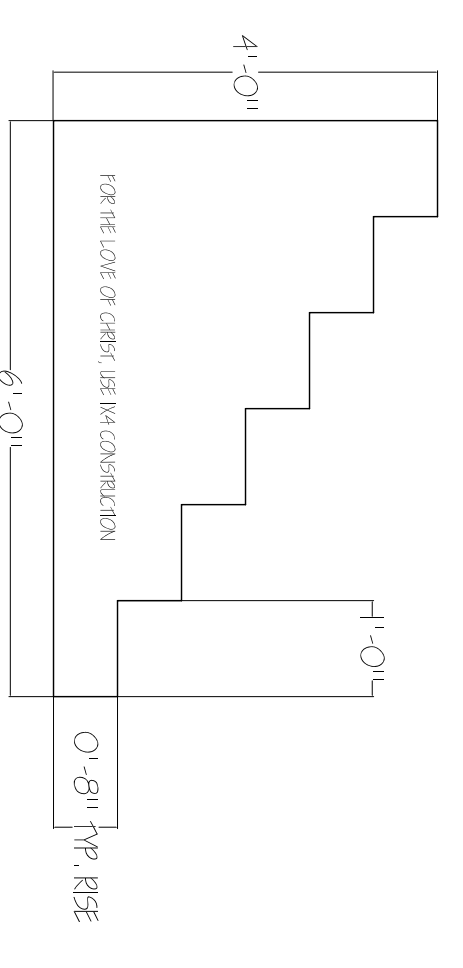
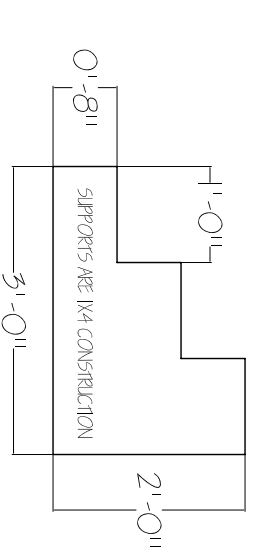


1 MANIPULON SHEET (0005)
SCALE: 1/2" = 1'-0"



2 ESCAPE SHEET (0005)
SCALE: 1/2" = 1'-0"

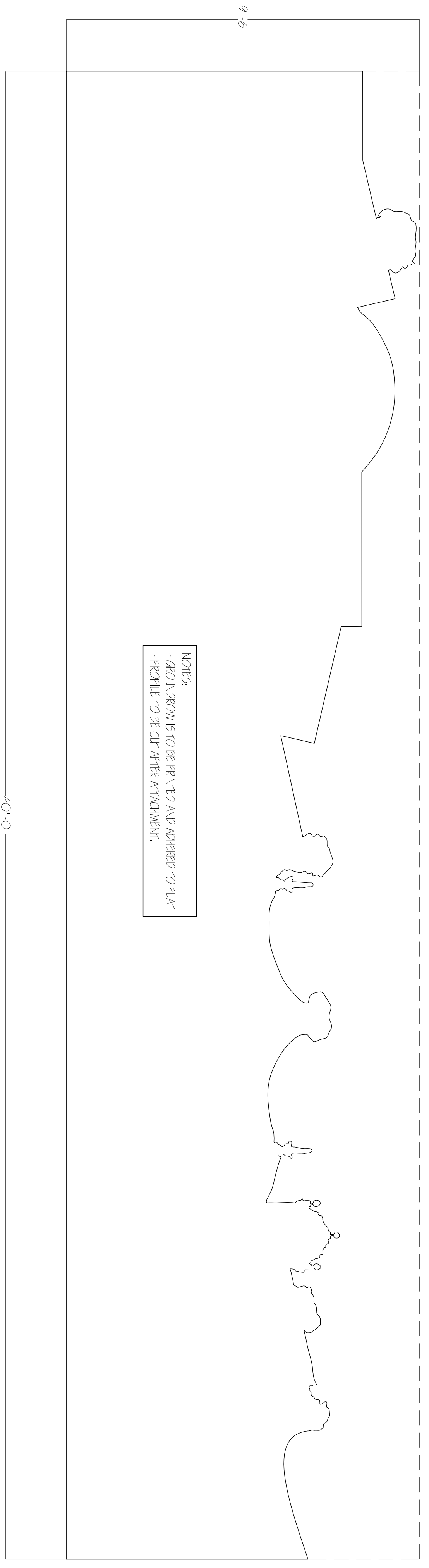
3 ESCAPE SHEET (0005)
SCALE: 1/2" = 1'-0"



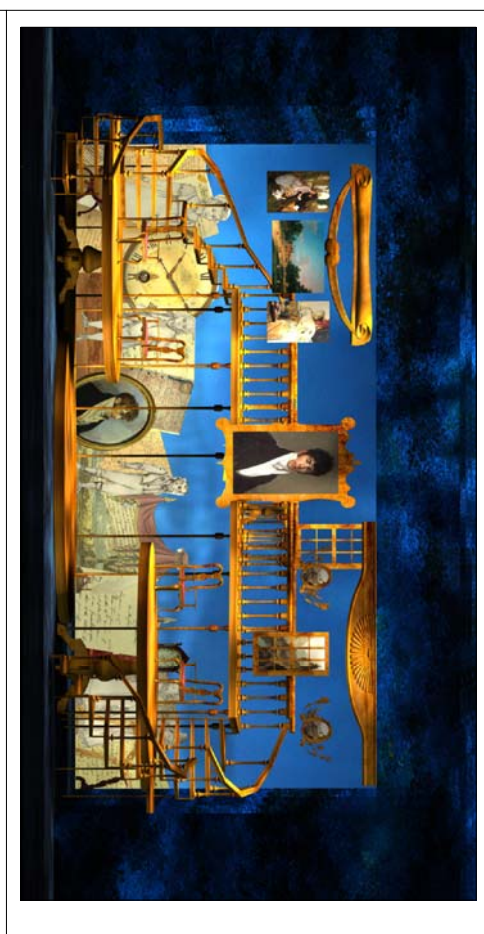
4 ESCAPE SHEET (4'-0" WIDE)
SCALE: 1/2" = 1'-0"

5 ESCAPE SHEET (4'-0" WIDE)
SCALE: 1/2" = 1'-0"

NOTES
- ROUNDINGS TO BE PRINTED AND ADHERED TO FLAT.
- PROFILE TO BE CUT AFTER ATTACHMENT.



6 ROUNDING PROFILE
SCALE: 1/2" = 1'-0"



MODEL PHOTO

THE OHIO LIGHT OPERA - 28TH SEASON - 2006
PRIDE AND PREJUDICE

TECH ELEVATIONS DWG. NO. **T-1**

DIRECTOR: STEVEN PAGE

DESIGNER: KIRK DOWER

TECH DIRECTOR: BRIAN ADAMS / JONATHAN SAGE

DRAWER: J.T. SAGE

APPROVED: DATE: SCALE: 1/2" = 1'-0" DRAWING DATE: 6-30-2006