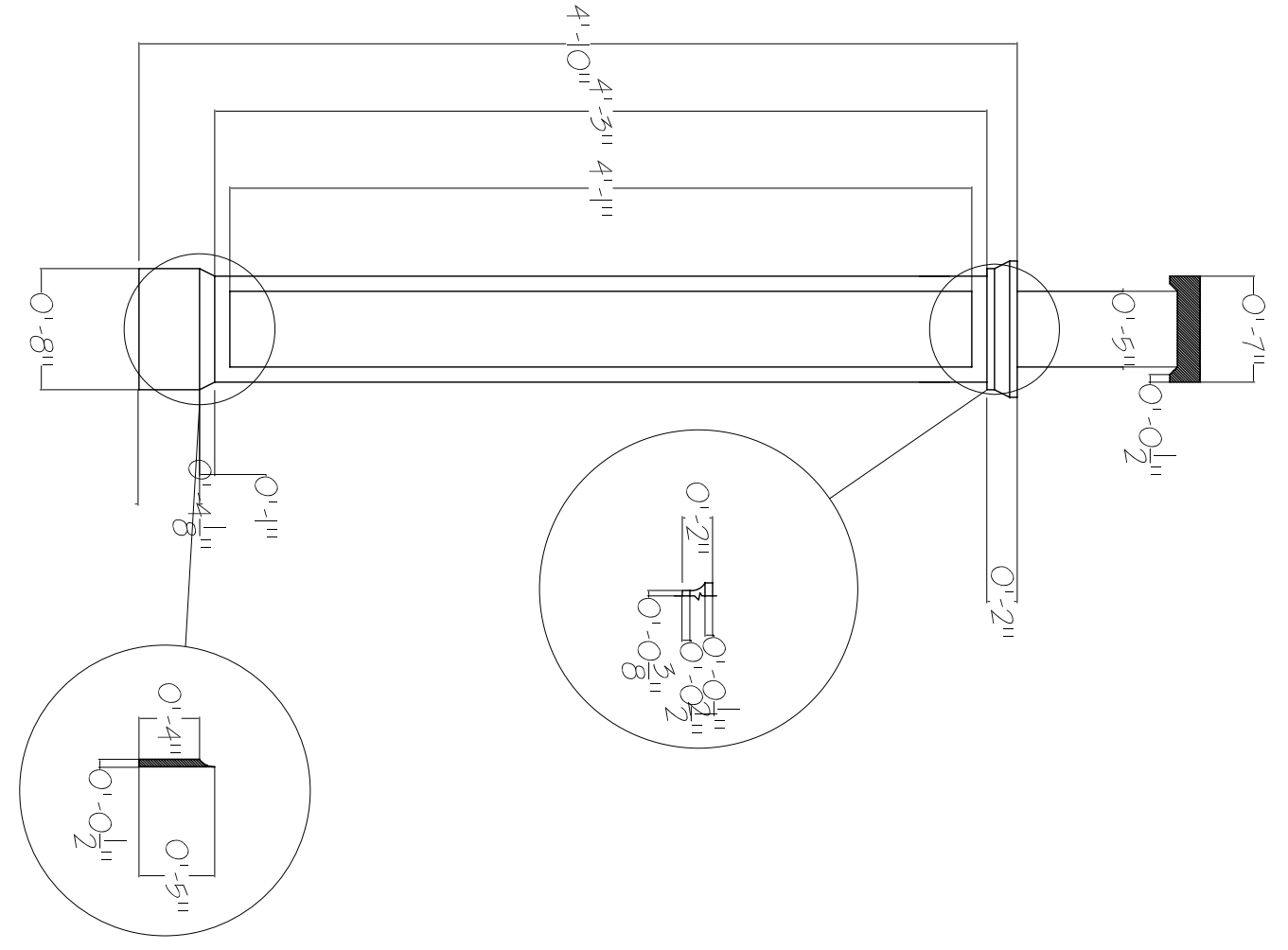
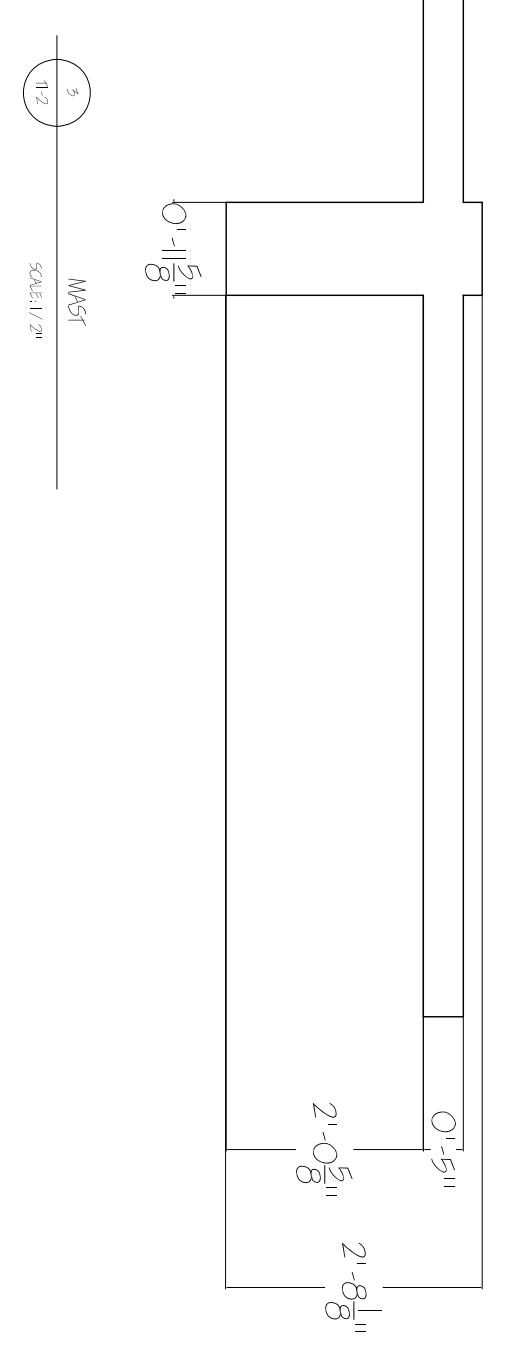
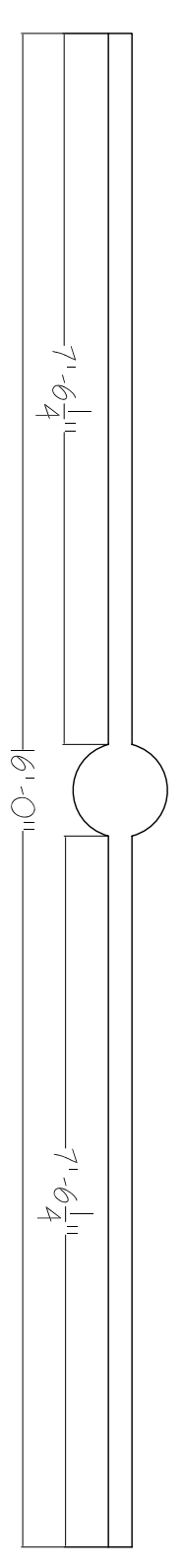




1 UPPER DECK COLUMNS V2
SCALE: 1/2" = 1'-0"

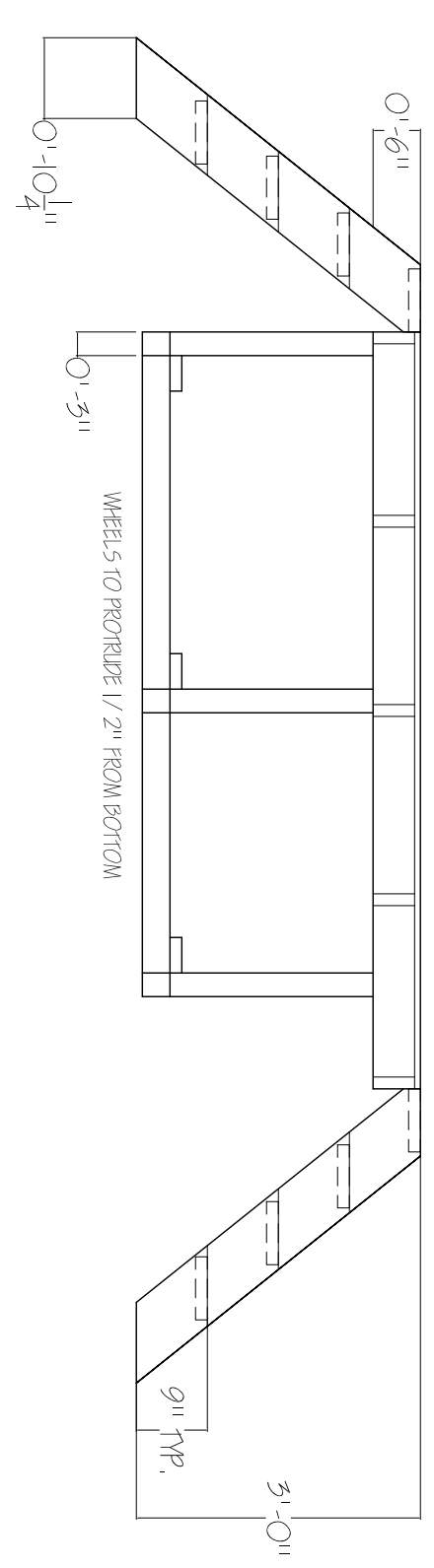
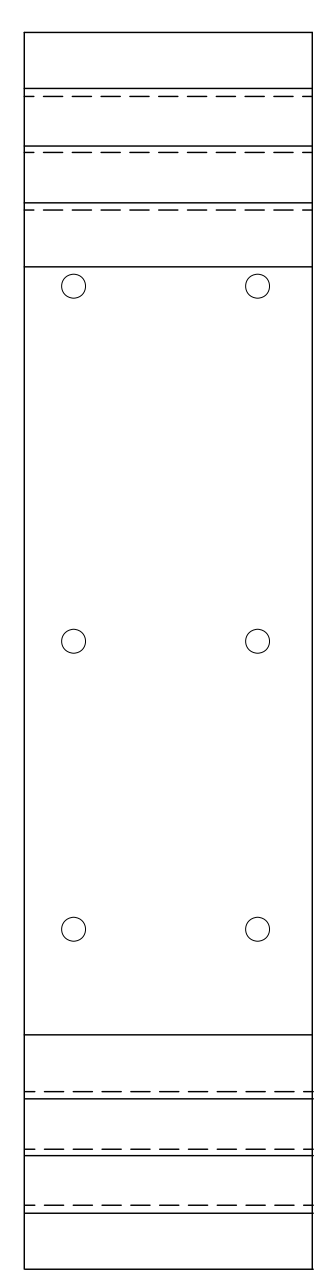


2 UPPER DECK COLUMNS V2
SCALE: 1/2" = 1'-0"

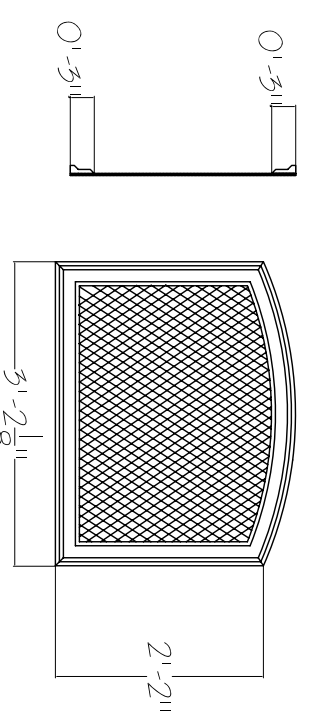


3 WHEEL
SCALE: 1/2" = 1'-0"

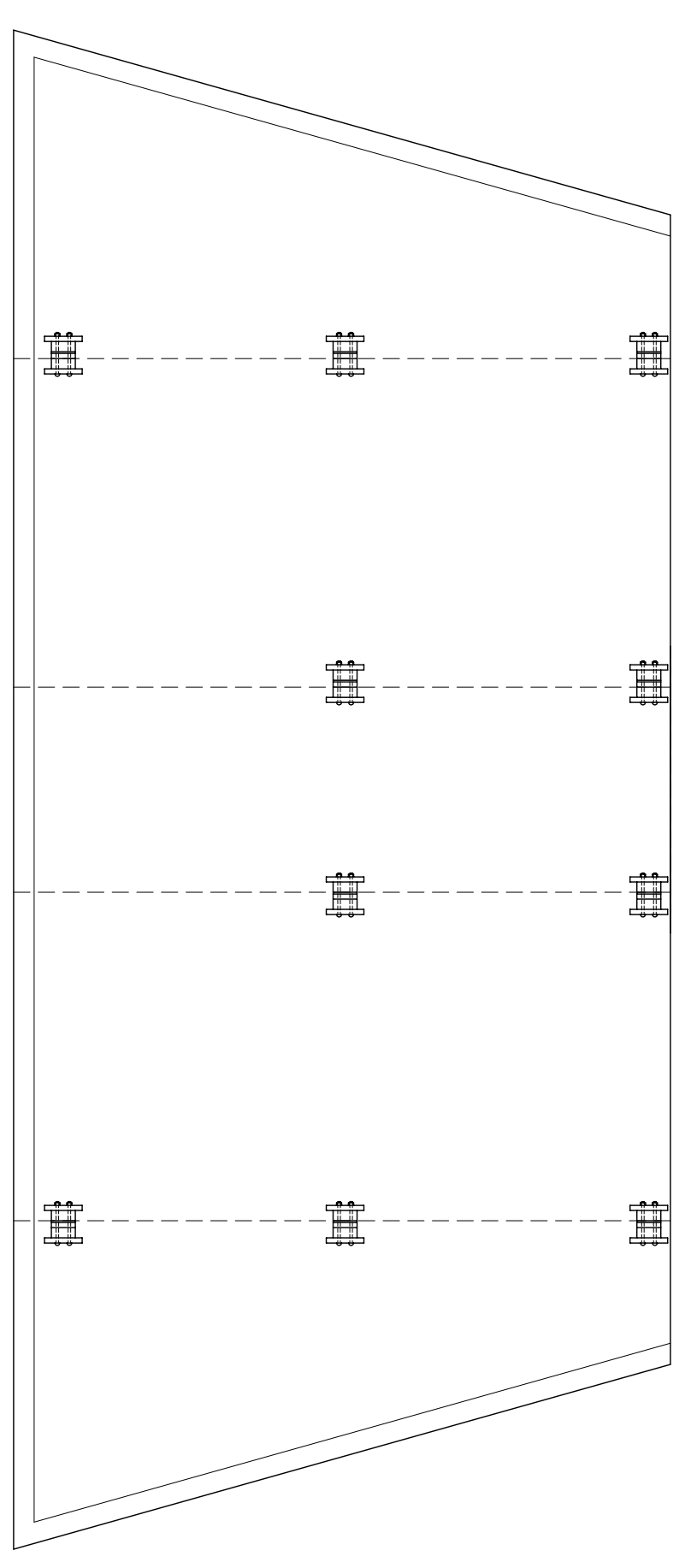
NOTES:
- DOCK MUST MOVE
LOFTS FACE
- STAIRS MUST HANDLE UP1
AND OVER SHIP WALL



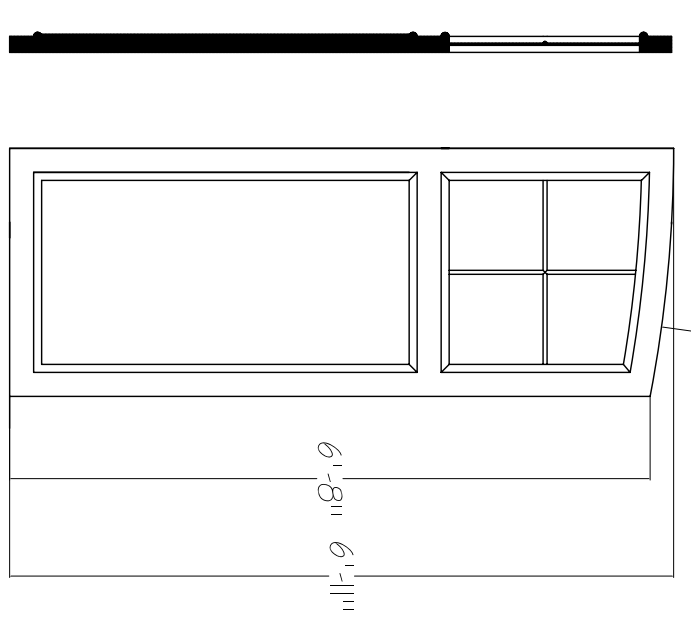
4 LOWER DECK DOOR (R+D)
SCALE: 1/2" = 1'-0"



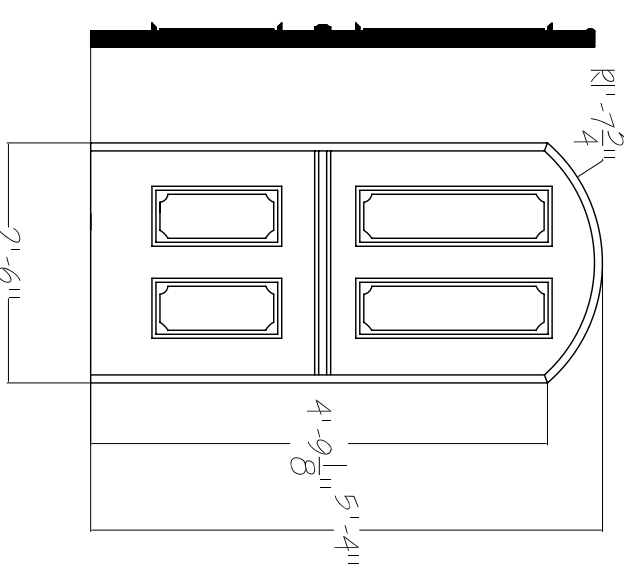
5 DECK WINDOW X2
SCALE: 1/2" = 1'-0"



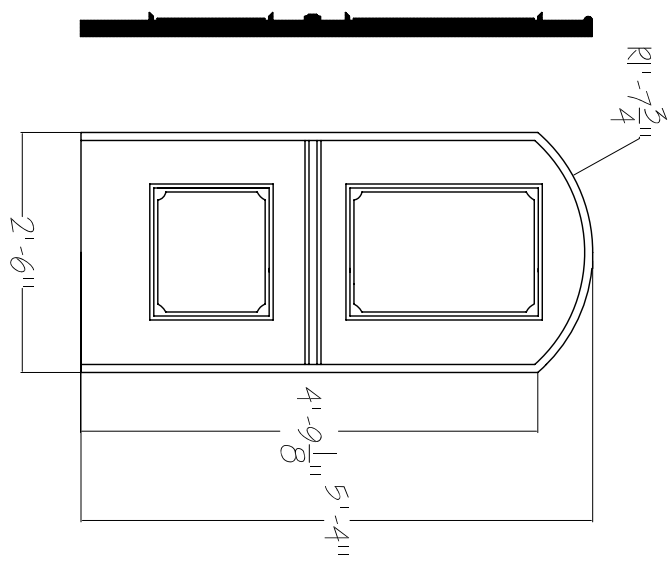
6 MAIN PLATFORM SHEET DOORS
SCALE: 1/2" = 1'-0"



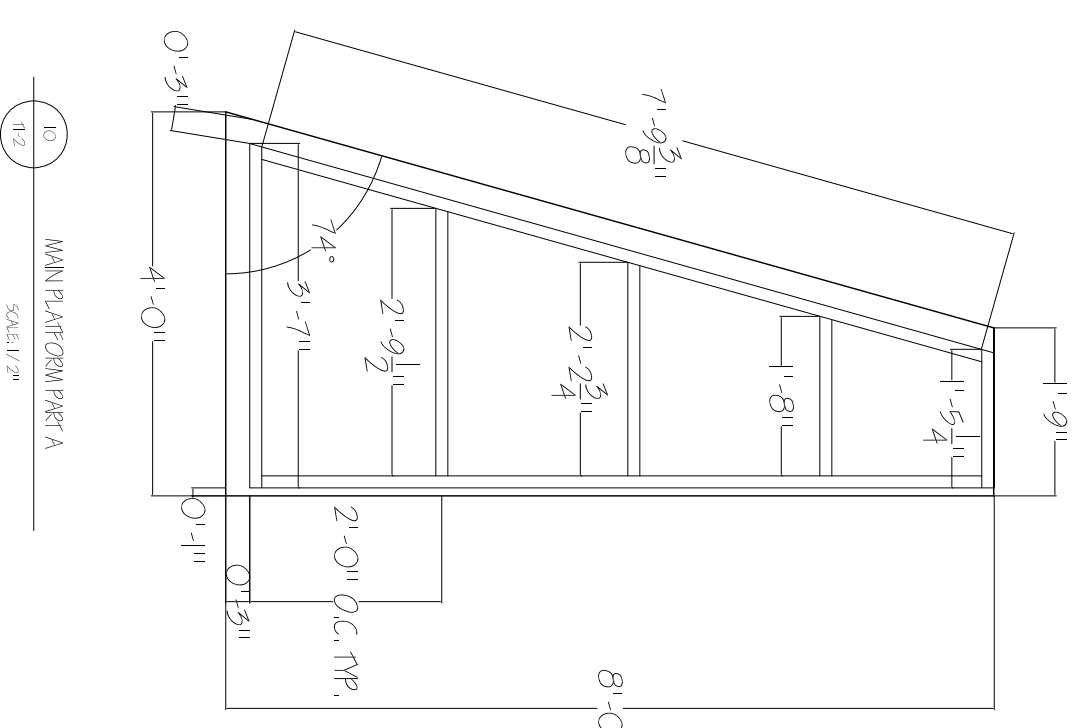
7 LOWER DECK DOOR (R+D)
SCALE: 1/2" = 1'-0"



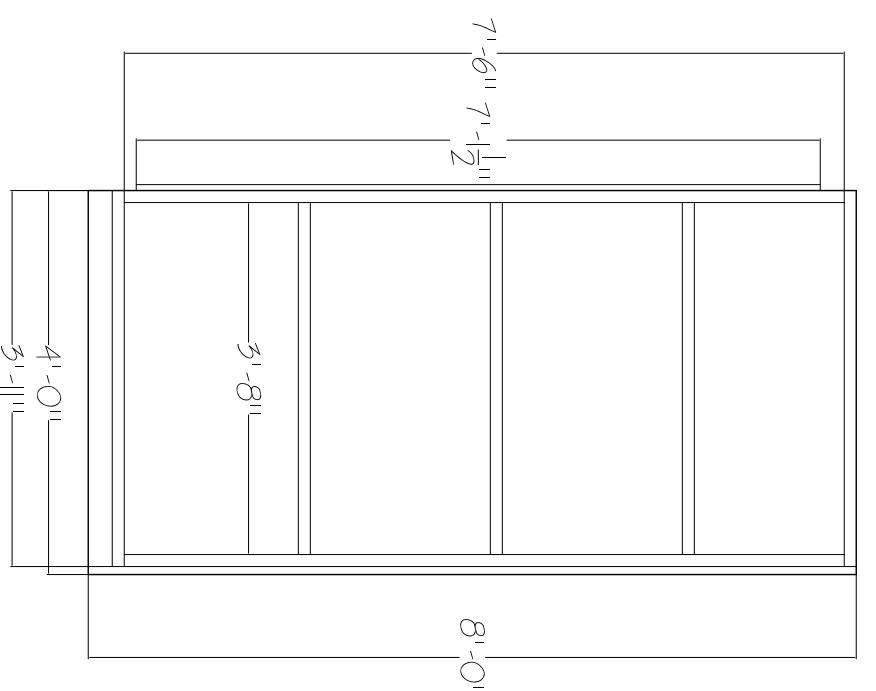
8 UPPER DECK DOOR (2.5/4 R+D)
SCALE: 1/2" = 1'-0"



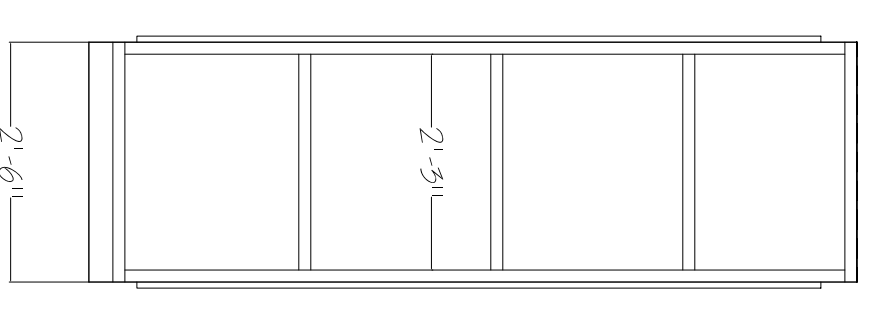
9 UPPER DECK DOOR (2.5/4 R+D)
SCALE: 1/2" = 1'-0"



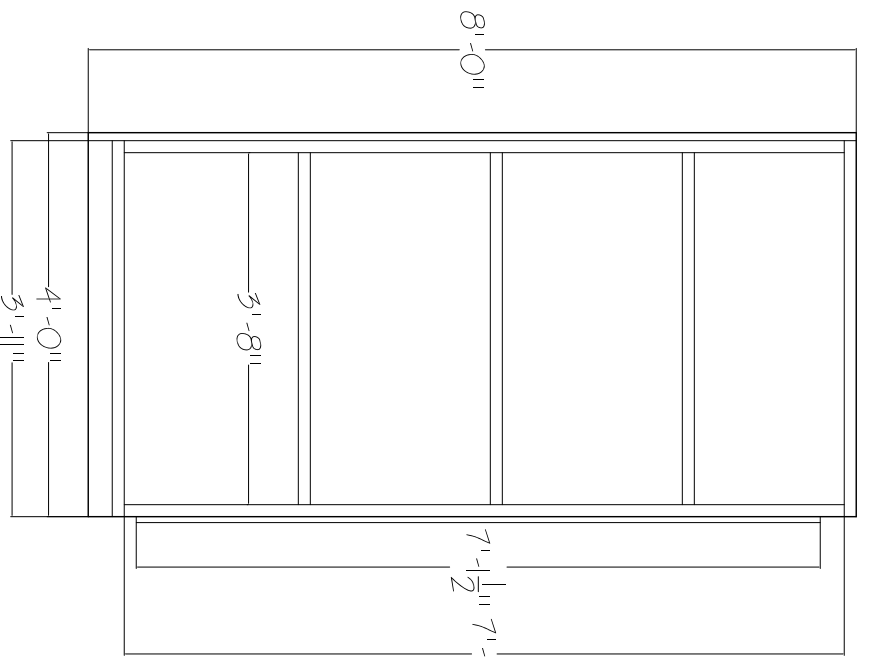
10 MAIN PLATFORM PIER A
SCALE: 1/2" = 1'-0"



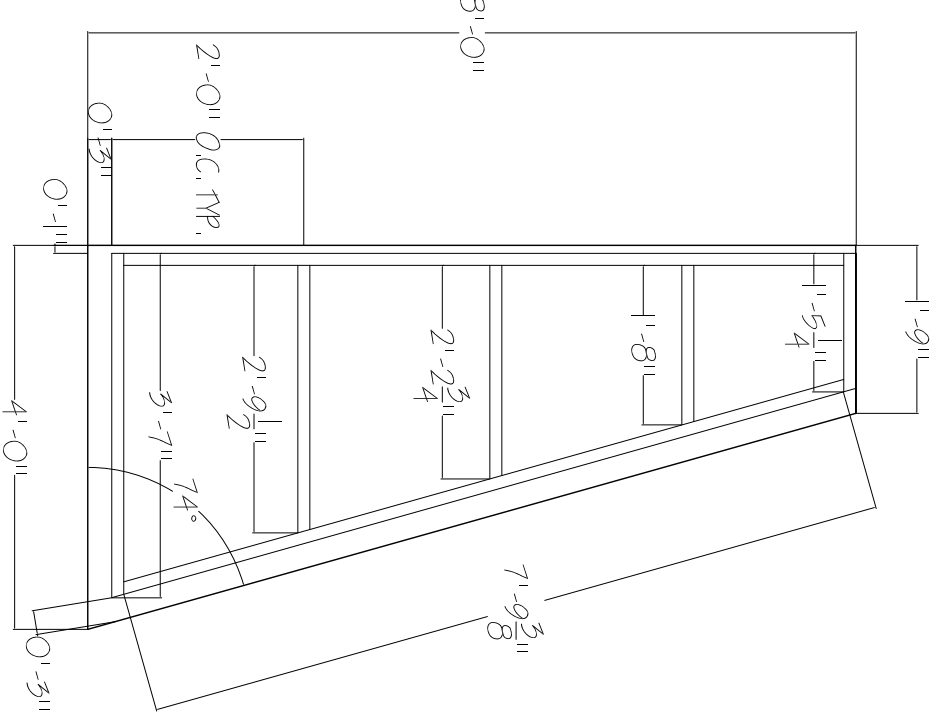
11 MAIN PLATFORM PIER B
SCALE: 1/2" = 1'-0"



12 MAIN PLATFORM PIER C
SCALE: 1/2" = 1'-0"



13 MAIN PLATFORM PIER D
SCALE: 1/2" = 1'-0"



14 MAIN PLATFORM PIER E
SCALE: 1/2" = 1'-0"



MODEL PHOTO
THE OHIO LIGHT OPERA - 28TH SEASON - 2006
HMS PINAFORE

CONSTRUCTION

DIRECTOR: TED CHRISTOPHER	DWG. NO. 11-2
DESIGNER: STELLY HELENE BARISH	OF
TECH DIRECTOR: BRIAN C. ADAMS & JONATHAN SAGE	CRD.
DRAWER: JLT, SAGE	DATE: 1/21/11
APPROVER:	SCALE: 1/2" = 1'-0"
	DRAWING DATE: 5-11-06