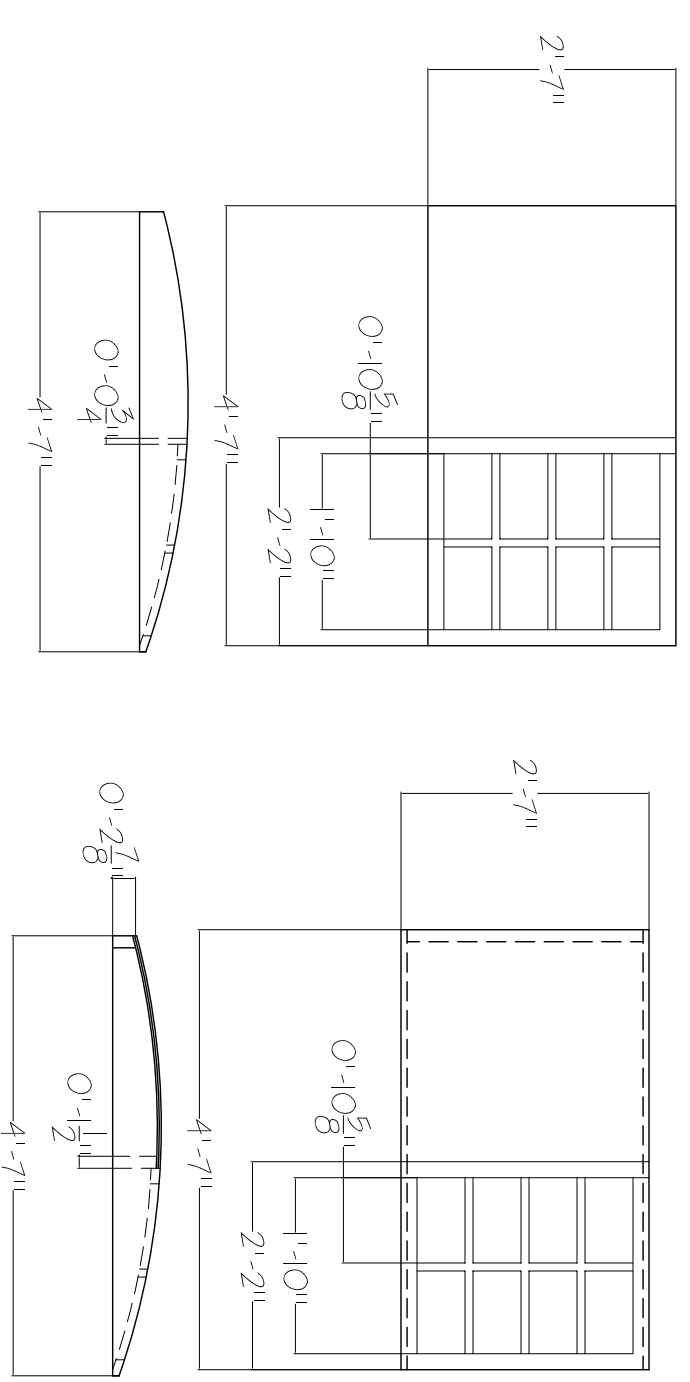
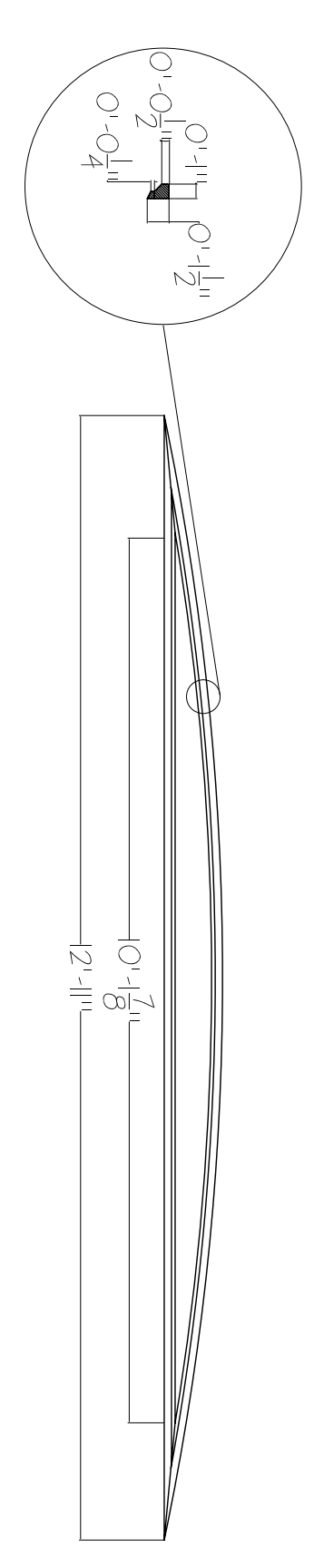


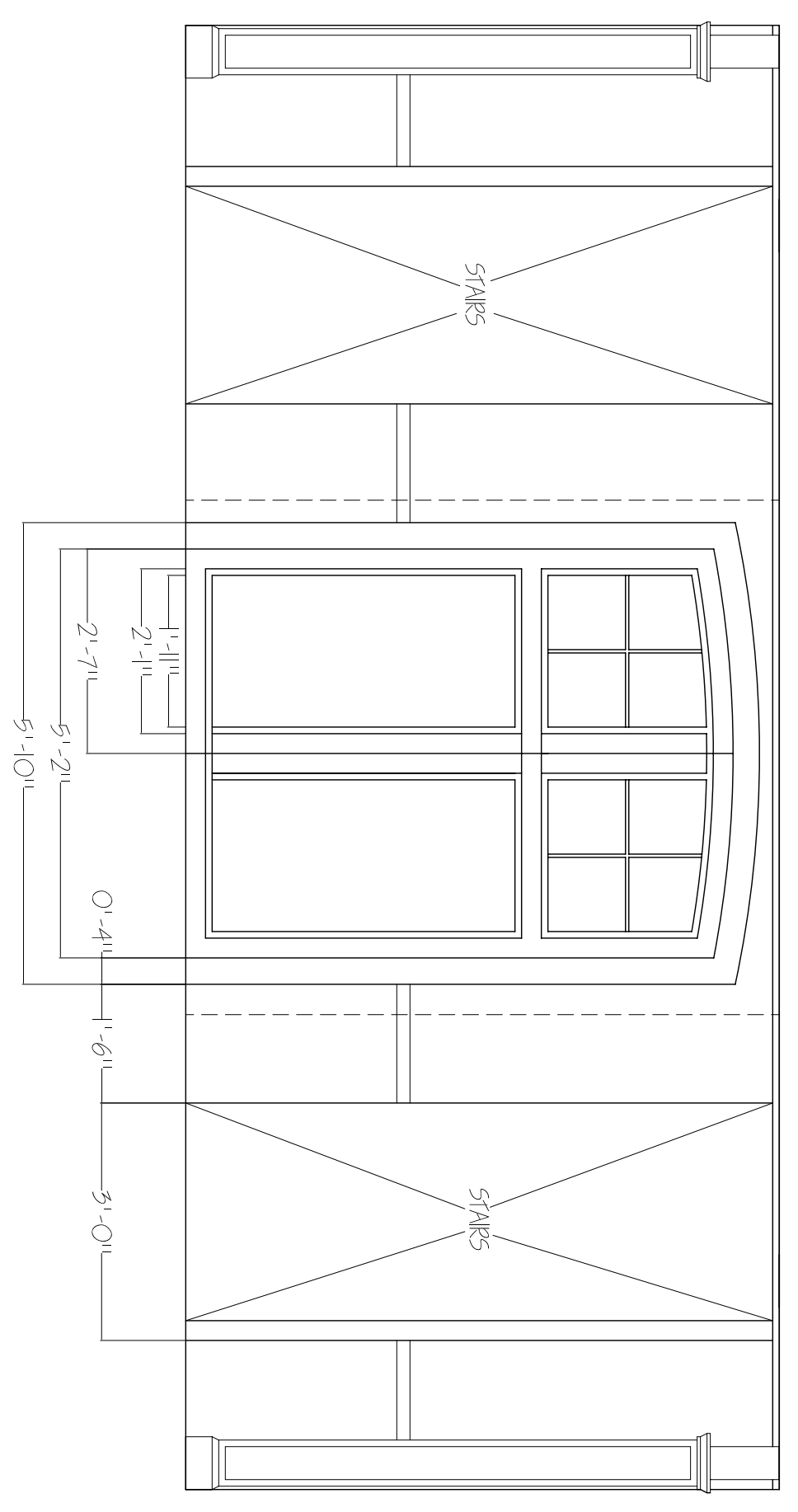
1 3RD FLOOR (BUILD 2)  
SCALE: 1/8" = 1'-0"



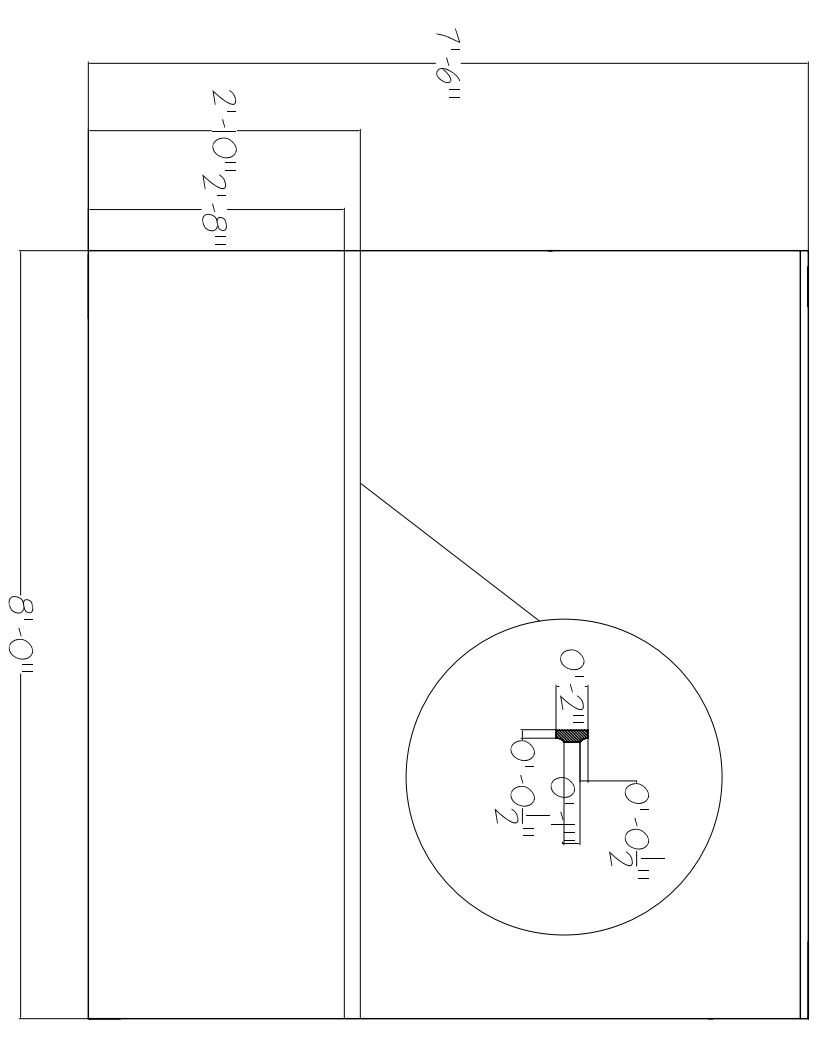
2 ROOM DOOR  
SCALE: 1/8" = 1'-0"



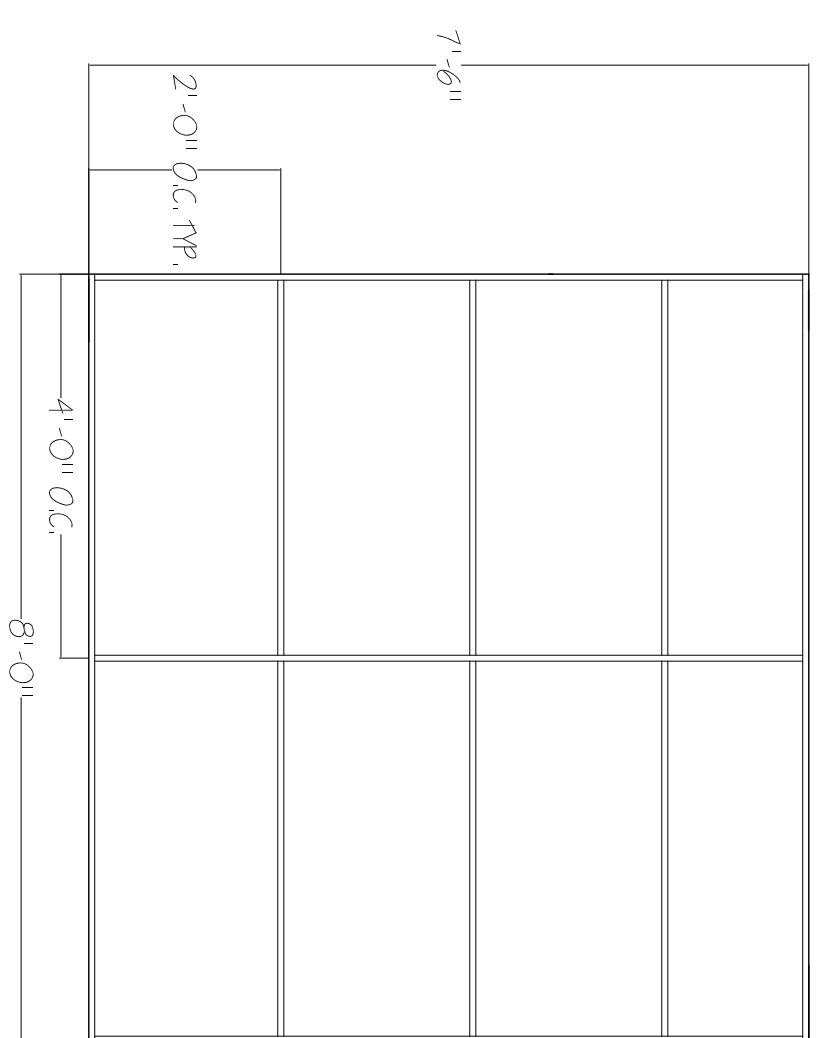
3 INTERIOR ELEVATION  
SCALE: 1/8" = 1'-0"



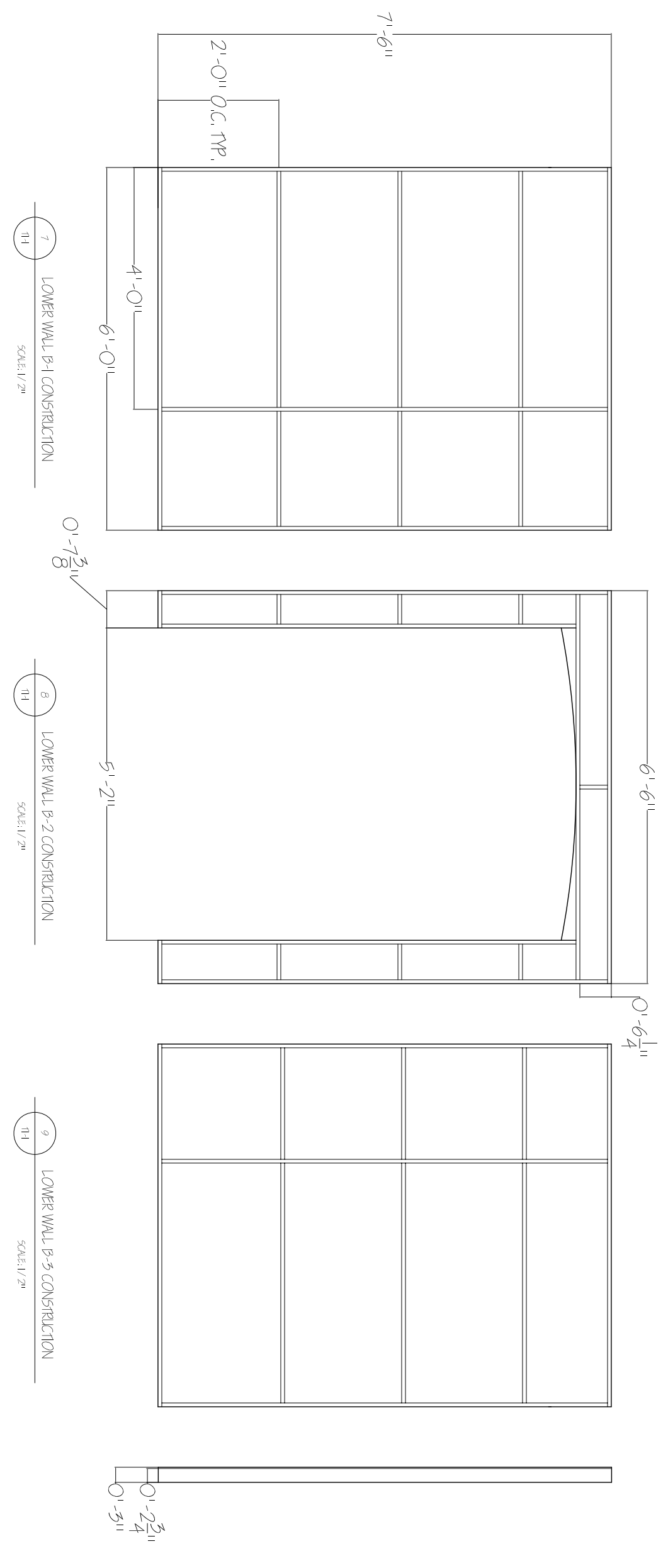
4 LOWER WALL B1, B2 & 3 DETAIL  
SCALE: 1/8" = 1'-0"



5 LOWER WALL A & C (2) DETAIL  
SCALE: 1/8" = 1'-0"



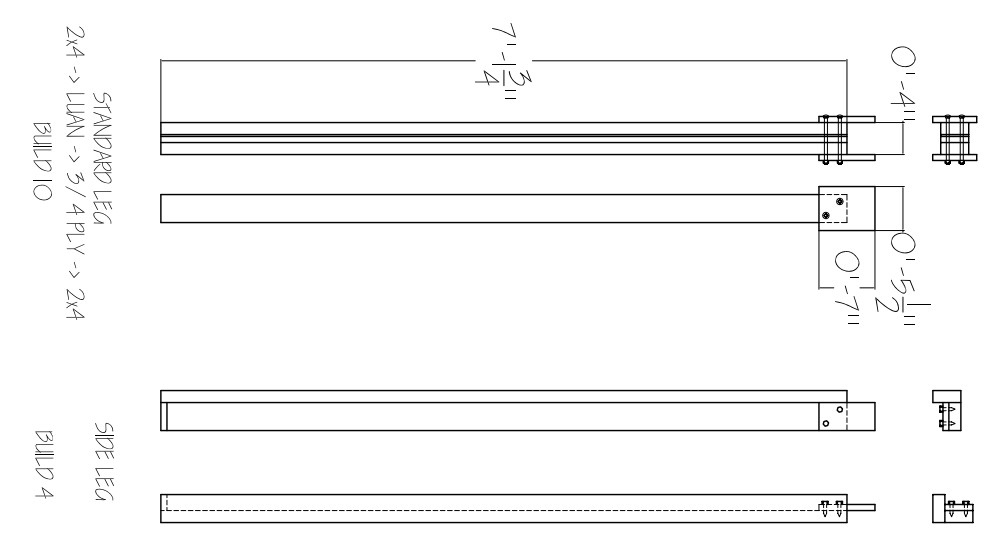
6 LOWER WALL A & C (3) CONSTRUCTION  
SCALE: 1/8" = 1'-0"



7 LOWER WALL B1 CONSTRUCTION  
SCALE: 1/8" = 1'-0"

8 LOWER WALL B2 CONSTRUCTION  
SCALE: 1/8" = 1'-0"

9 LOWER WALL B3 CONSTRUCTION  
SCALE: 1/8" = 1'-0"



10 WINDOW LEG  
24" x 24" x 24" x 24"

11 WINDOW LEG  
24" x 24" x 24" x 24"



MODEL PHOTO

# THE OHIO LIGHT OPERA - 28TH SEASON - 2006 HMS PINAFORE

## CONSTRUCTION

DIRECTOR: TED CHRISTOPHER	DWG. NO. 11-1
DESIGNER: SHEILLY HELENE BARKSH	OF _____
TECH. DIRECTOR: BRIAN C. ADAMS & JONATHAN SAGE	CRD: _____
DRAWN BY: JLT, SAGE	DATE: 1/21/06
APPROVED: _____	SCALE: 1/8" = 1'-0"
	DRAWING DATE: 5-11-06